

Outdoor Gourmet®

Assembly Instructions & User's Manual Outdoor Cooking Prep Station

Item# 163868

Model# SRCPS20001



Please keep this instruction manual for future reference

⚠ Warning:

READ INSTRUCTION MANUAL BEFORE ATTEMPTING TO ASSEMBLE OR
OPERATE THIS PRODUCT.

Adult assembly required.

Keep screws and parts out of reach of children.

Customer Service: (888) 909-3888, 7:30 am to 4:30 pm PST, Monday - Friday

-----OR-----

Customer Service: (888) 922-2336 7:00 am to 12:00 am CST (daily)

Live Chat at: www.academy.com

Email: customerservice@academy.com

(Made in China)

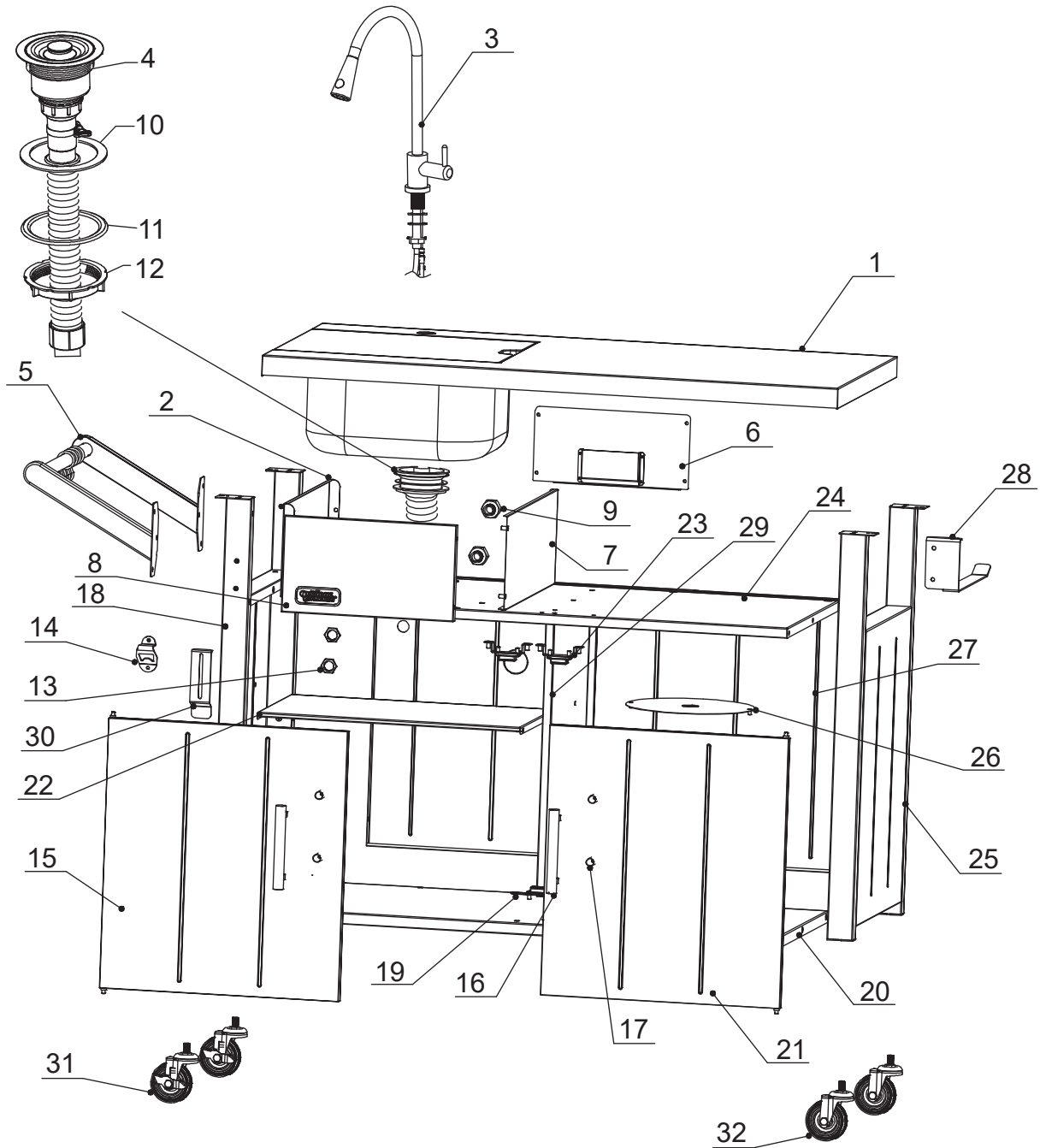
TABLE OF CONTENTS

Exploded View	2
Parts, Tools and Hardware	3-4
Assembly Instructions.....	5-14
Care & Maintenance.....	14
Warranty Information	15

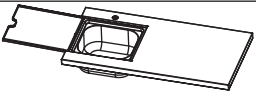

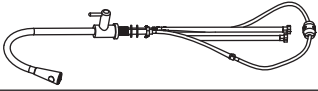
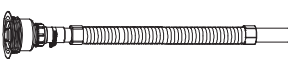
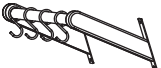
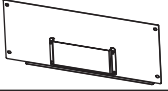
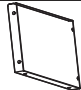







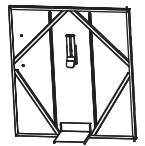

Note: Before beginning assembly of product, make sure all parts are present. Compare parts with package content list and hardware contents. If any part is missing or damaged, do not attempt to assemble the unit. Contact customer service for replacement parts.

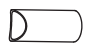
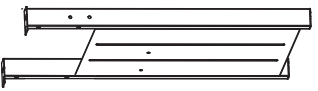


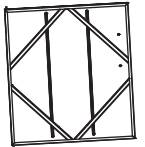


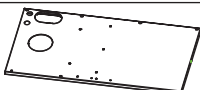


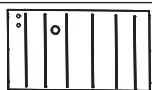

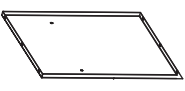



EXPLODED VIEW

Please check the contents of the packaging to ensure all parts are included. If missing parts please contact customer service.





PART LIST

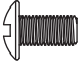

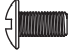


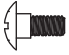

Part #	Description	Picture	Qty
1	Tabletop Assembly		1
2	Sink Left Panel		1
3	Faucet Assembly		1
4	Drainage Hose Assembly		1
5	Side Handle		1
6	Sink Rear Panel		1
7	Sink Right Panel		1
8	Sink Front Panel		1
9	Water Inlet		2
10	White Waterproof Washer		1
11	Black Waterproof Washer		1
12	Plastic Nut		1
13	Water Inlet Nut		2
14	Bottle Opener		1
15	Cabinet Left Door		1
16	Door Handle		2

Part #	Description	Picture	Qty
17	Door Handle Base		4
18	Cabinet Left Panel		1
19	Door Bottom Magnet		1
20	Cabinet Bottom Panel		1
21	Cabinet Right Door		1
22	Dust Panel		1
23	Door Upper Magnet		2
24	Cabinet Upper Panel		1
25	Cabinet Right Panel		1
26	Cylinder Hole Cover		1
27	Cabinet Rear Panel		1
28	Paper Towel Holder		1
29	Cabinet Middle Panel		1
30	Trash Can Retainer		1
31	Locking Caster		2
32	Non-locking Caster		2

TOOLS REQUIRED

Phillips Head Screwdriver (Not included)	
Adjustable Wrench (Not included)	
Teflon Tape (Not included)	
Plumber Putty (Not included)	

HARDWARE

Hardware #	Description	Picture	Qty
AA	M6 x 10 Bolt		24
BB	M6 x 30 Bolt		6
CC	M5 x 10 Bolt		38
DD	M5 x 12 SS Bolt		5
EE	M4 x 10 Bolt		4
FF	M4 x 10 Stepped Bolt		2
GG	M4 x 10 SS Flat Bolt		8

ASSEMBLY INSTRUCTIONS

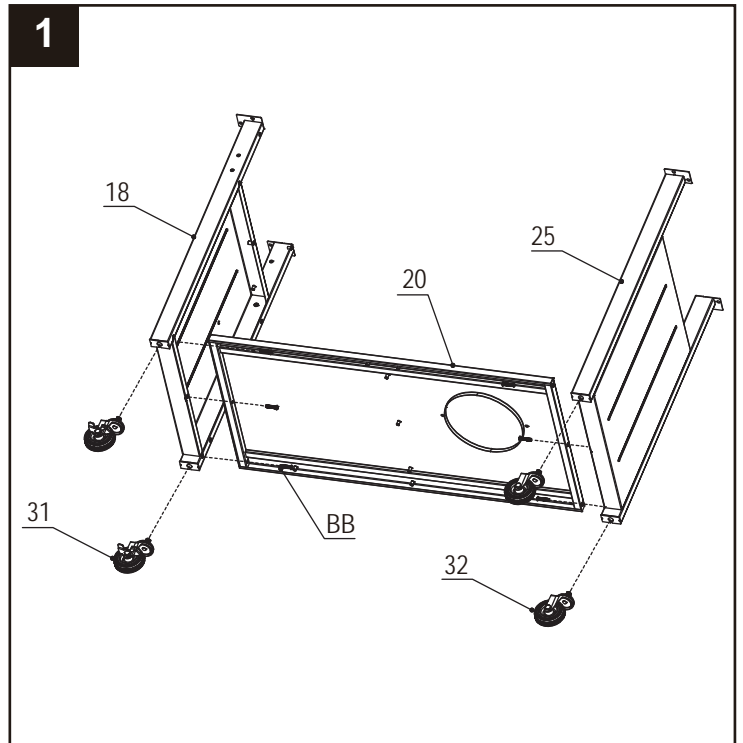
Choose a good, cleared assembly area and get a friend to help you put the unit together. Lay cardboard down to protect the unit finish and assembly area.

STEP 1

Attach the cabinet bottom panel (#20) to the cabinet left panel (#18) and cabinet right panel (#25) with (6) M6 x 30 bolts (BB). Screw (2) locking casters (#31) to the cabinet left panel (#18) and (2) non-locking casters (#32) to the cabinet right panel (#25) as illustrated.

Hardware Used

BB M6 x 30 Bolt  x6



STEP 2

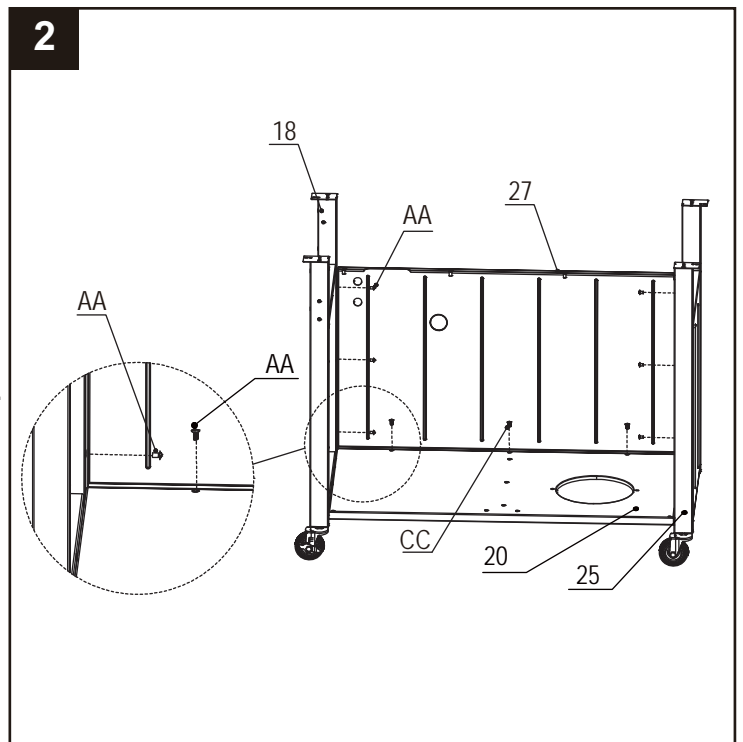
Attach the cabinet rear panel (#27) to the cabinet left panel (#18) and cabinet right panel (#25) with (6) M6 x 10 bolts (AA), then attach the cabinet rear panel (#27) to the cabinet bottom panel (#20) with (3) M5 x 10 bolts (CC) as illustrated.

Note: DO NOT TIGHTEN hardware until the tabletop assembly has been installed in Step 11.

Hardware Used

AA M6 x 10 Bolt  x6

CC M5 x 10 Bolt  x3



ASSEMBLY INSTRUCTIONS

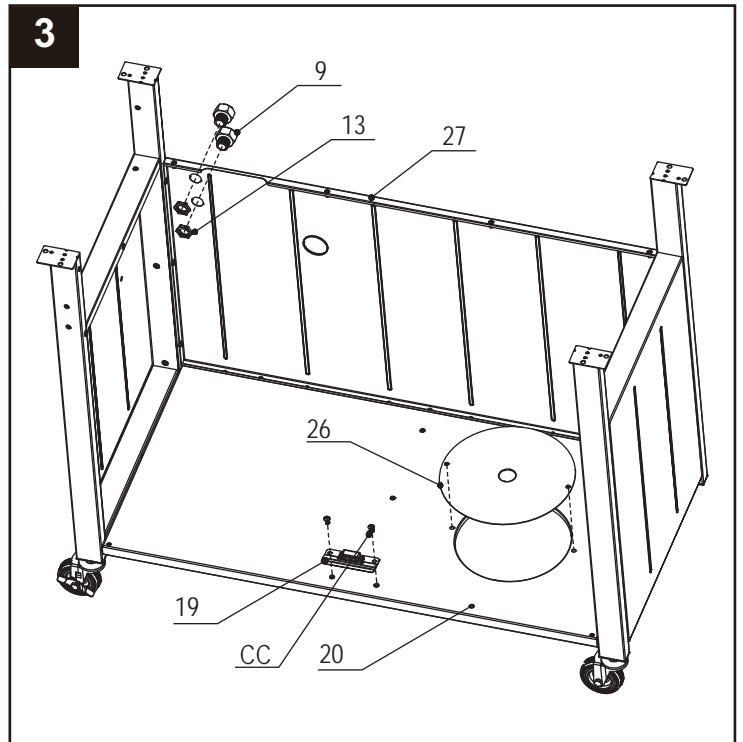
STEP 3

Attach (2) water inlets (#9) to the cabinet rear panel (#27) with (2) water inlet nuts (#13). Attach the door bottom magnet (#19) to the cabinet bottom panel (#20) with (2) M5 x10 bolts (CC). Place the cylinder hole cover (#26) to the location hole directly as illustrated.

Note: Use Teflon tape (not included) to seal the connection between the water inlets and hose attachment to prevent leak if available.

Hardware Used

CC M5 x 10 Bolt  x2

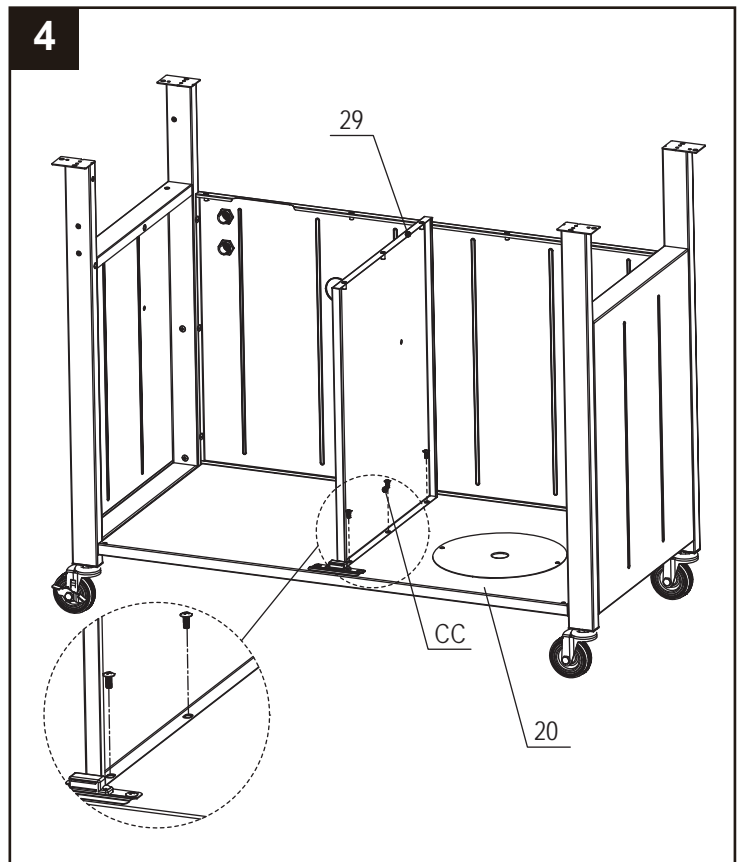


STEP 4

Attach the cabinet middle panel (#29) to the cabinet bottom panel (#20) with (3) M5 x 10 bolts (CC) as illustrated.

Hardware Used

CC M5 x 10 Bolt  x3



ASSEMBLY INSTRUCTIONS

STEP 5

Attach the dust panel (#22) to the cabinet left panel (#18) and cabinet middle panel (#29) with (4) M5 x 10 bolts (CC) as illustrated.

Note: DO NOT TIGHTEN hardware until the tabletop assembly has been installed in Step 11.

Hardware Used

CC M5 x 10 Bolt  x4

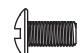
STEP 6

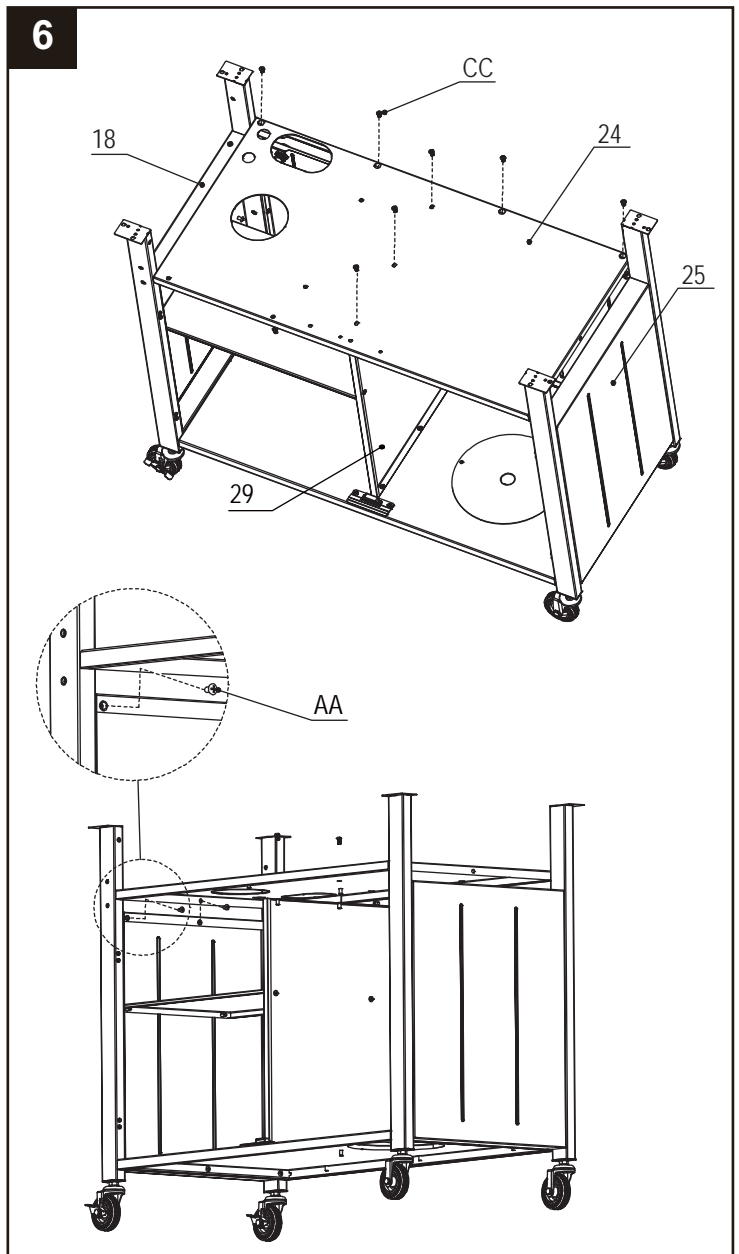
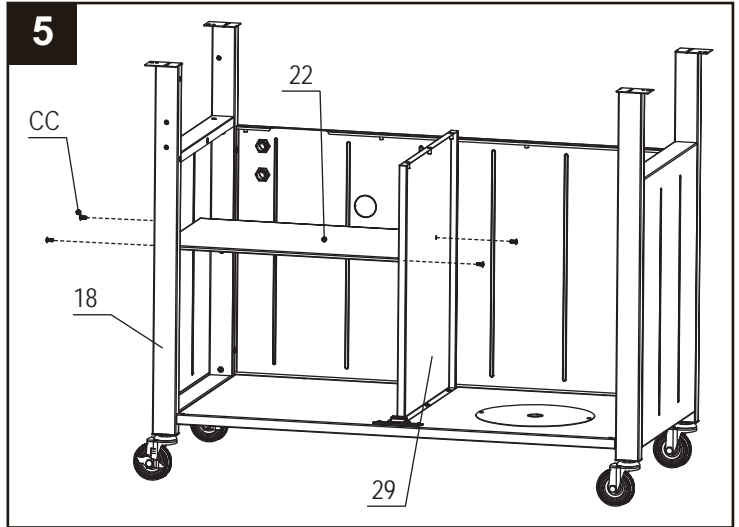
Attach the cabinet upper panel (#24) to the cabinet rear panel (#27) and cabinet middle panel (#29) with (7) M5 x 10 bolts (CC), then attach the cabinet upper panel (#24) to the cabinet left panel (#18) and cabinet right panel (#25) with (4) M6 x 10 bolts (AA) as illustrated.

Note: DO NOT TIGHTEN hardware until the tabletop assembly has been installed in Step 11.

Hardware Used

AA M6 x 10 Bolt  x4

CC M5 x 10 Bolt  x7



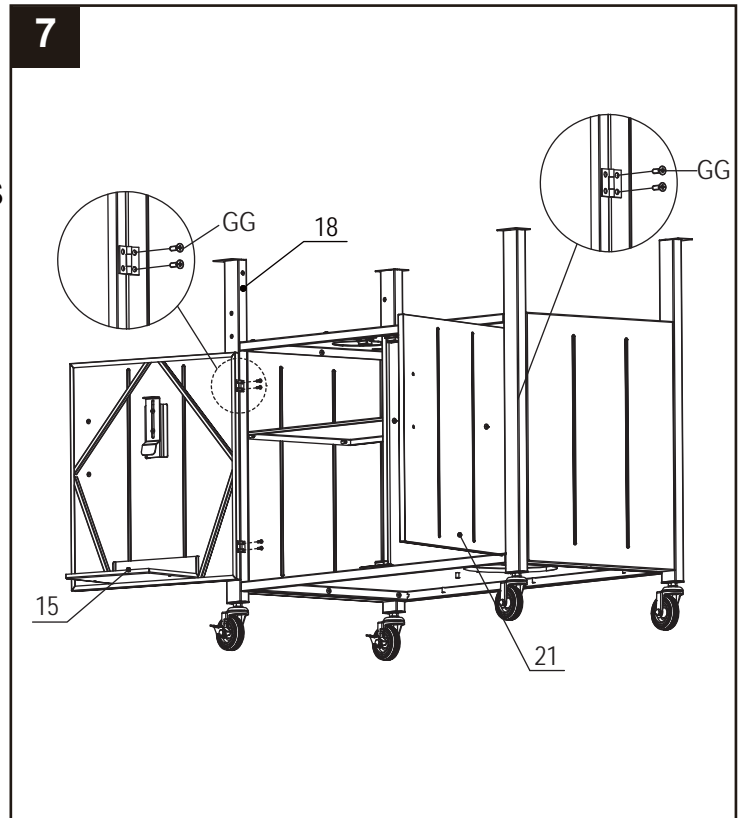
ASSEMBLY INSTRUCTIONS

STEP 7

Attach the cabinet left door (#15) to the cabinet left panel (#18) with (4) M4 x 10 SS flat bolts (GG), then attach the cabinet right door (#21) to the cabinet right panel (#25) with (4) M4 x 10 SS flat bolts (GG) as illustrated.

Hardware Used


GG M4 x 10 SS Flat Bolt  x8



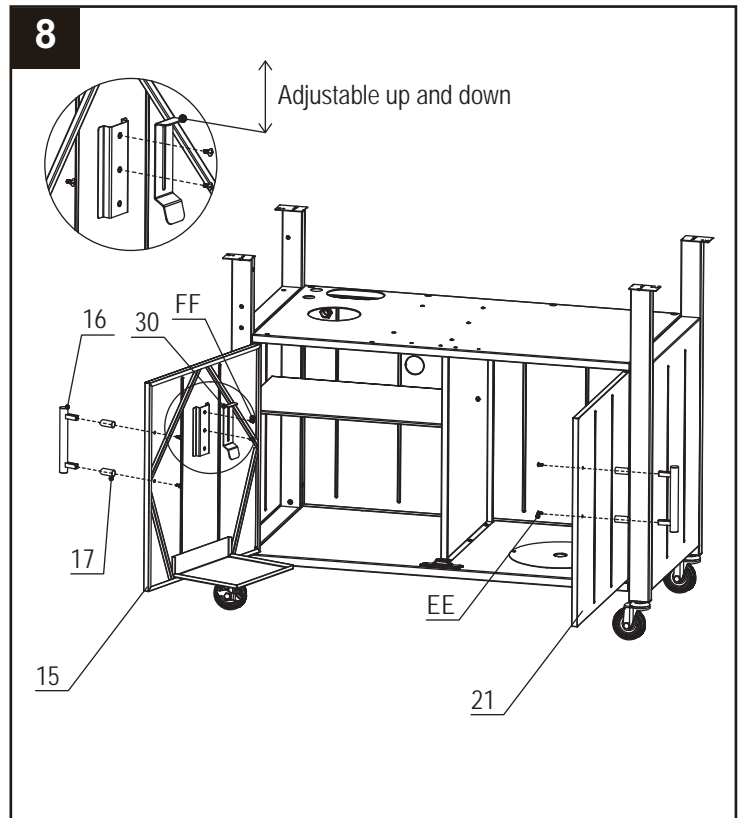
STEP 8

Attach the door handles (#16) and door handle bases (#17) to the cabinet left door (#15) and cabinet right door (#21) with (4) M4 x 10 bolts (EE). Attach the trash can retainer (#30) to the cabinet left door (#15) with (2) M4 x 10 stepped bolts (FF) as illustrated.

Hardware Used

EE M4 x 10 Bolt  x4

FF M4 x 10 Stepped Bolt  x2



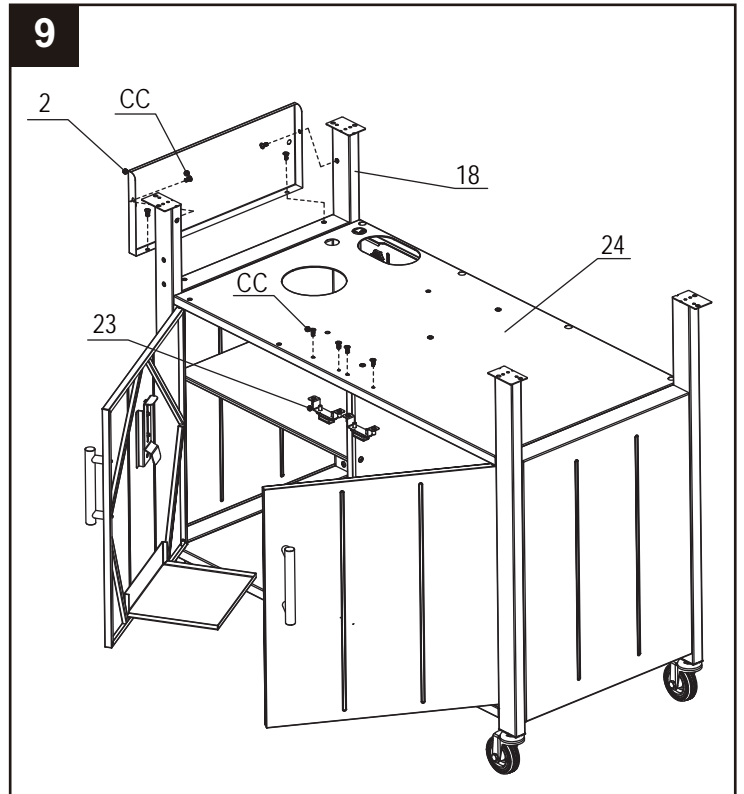
ASSEMBLY INSTRUCTIONS

STEP 9

Attach the sink left panel (#2) to the cabinet assembly with (4) M5 x 10 bolts (CC). Attach (2) door upper magnets (#23) to the cabinet upper panel (#24) with (4) M5 x 10 bolts (CC) as illustrated.

Hardware Used

CC M5 x 10 Bolt  x8

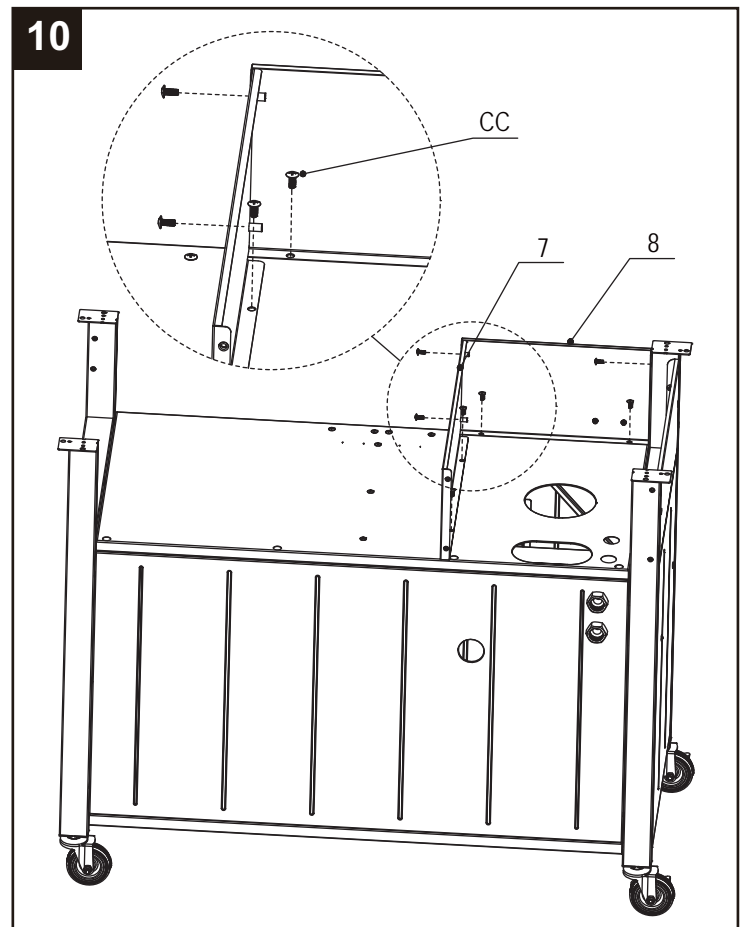


STEP 10

Attach the sink right panel (#7) and sink front panel (#8) to the cabinet assembly with (7) M5 x 10 bolts (CC) as illustrated.

Hardware Used

CC M5 x 10 Bolt  x7



ASSEMBLY INSTRUCTIONS

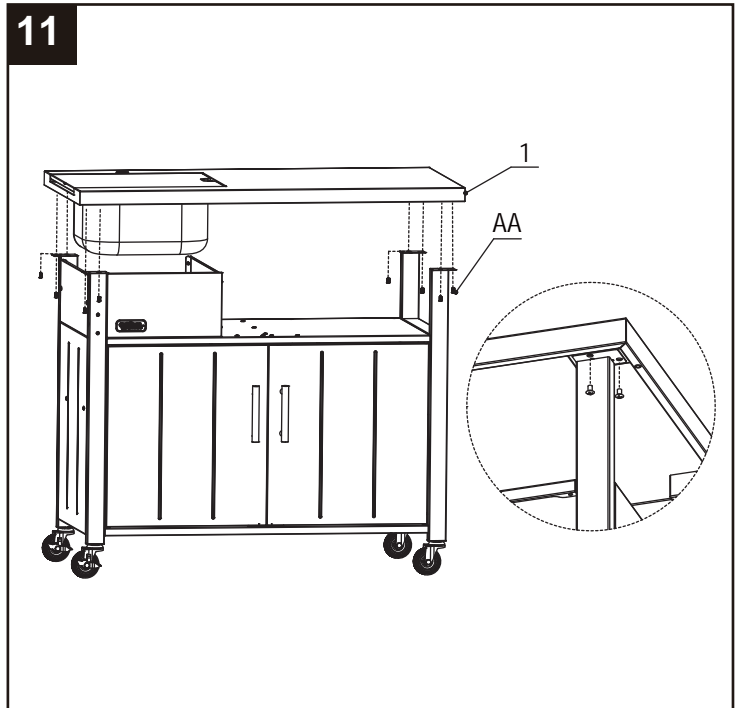
STEP 11

Attach the tabletop assembly (#1) to the cabinet assembly with (8) M6 x 10 bolts (AA) as illustrated.

Note: Now TIGHTEN ALL hardware.

Hardware Used

AA M6 x 10 Bolt  x8




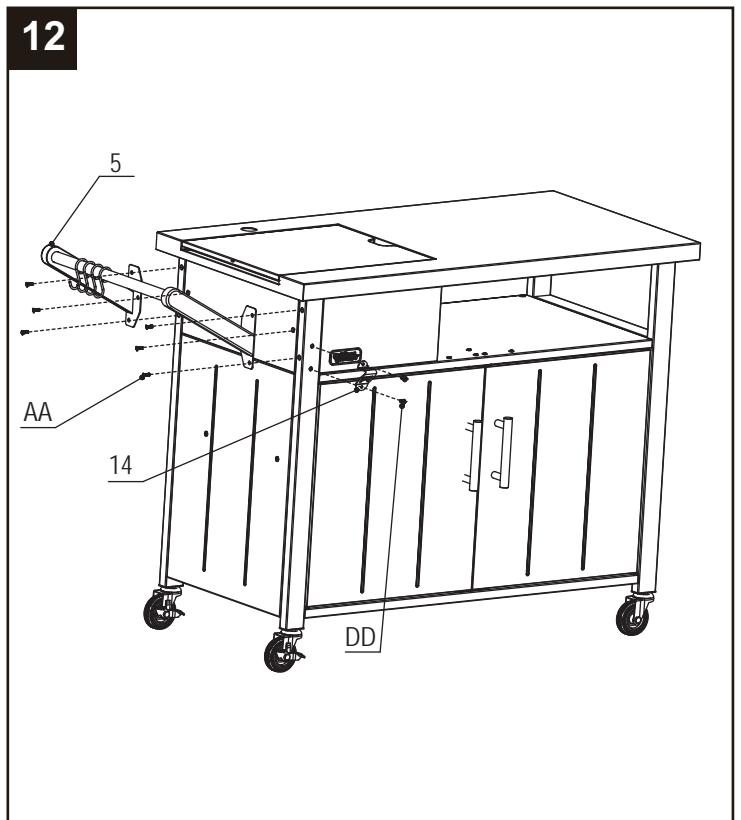
STEP 12

Attach the side handle (#5) to the cabinet assembly with (6) M6 x 10 bolts (AA). Attach the bottle opener (#14) to the cabinet assembly with (2) M5 x 12 SS bolts (DD) as illustrated.

Hardware Used

AA M6 x 10 Bolt  x6

DD M5 x 12 SS Bolt  x2




ASSEMBLY INSTRUCTIONS

STEP 13

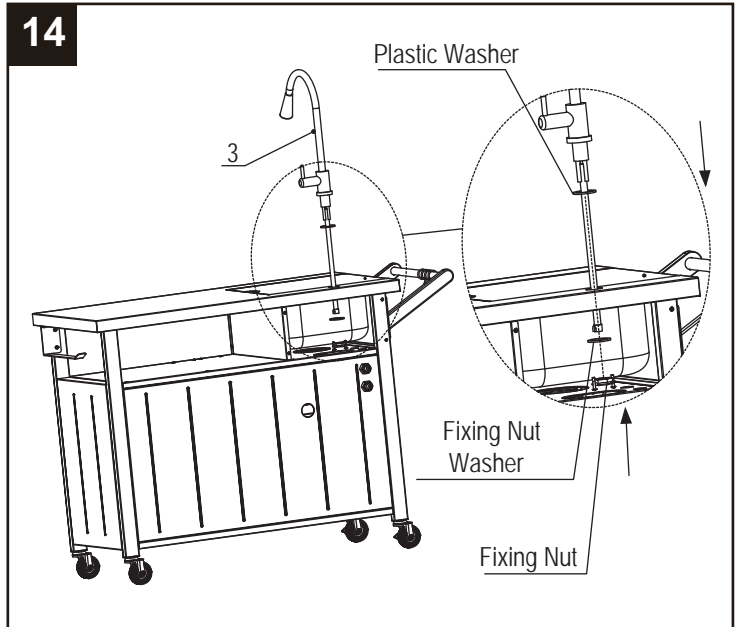
Attach the paper towel holder (#28) to the cabinet assembly with (3) M5 x 12 SS bolts (DD) as illustrated.

Hardware Used

DD M5 x 12 SS Bolt  x3

STEP 14

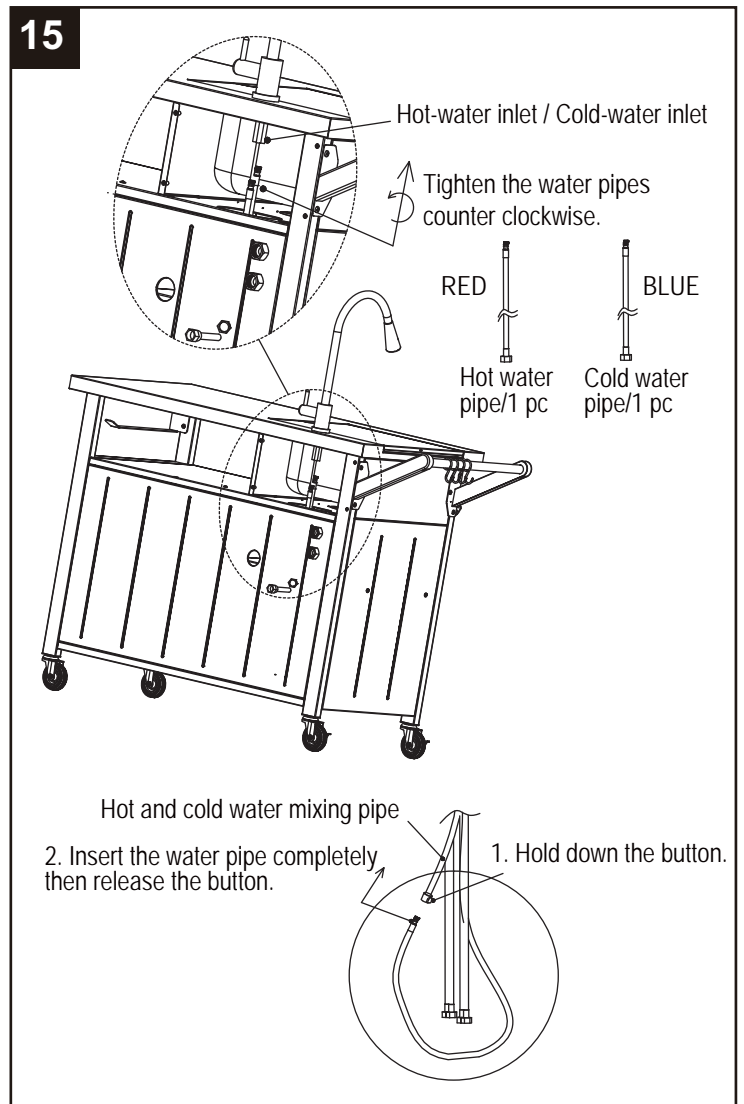
Take the faucet assembly (#3) out of the box, then insert the faucet into the mounting hole on the tabletop by screwing it tightly with the fixing nut and washers as illustrated.



ASSEMBLY INSTRUCTIONS

STEP 15

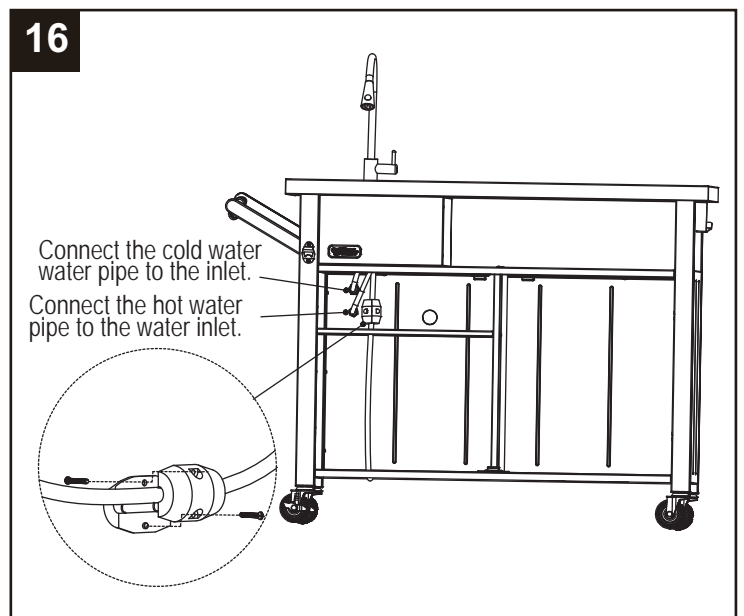
Connect the water pipes to the faucet by using the wrench (not included) to tighten as illustrated.



STEP 16

Connect the hot/cold water pipe to the water inlets assembled in Step 3. Unscrew the pre-assembled bolts on the counterweight, then attach the counterweight to the hot and cold water mixing pipe and adjust its position as needed, finally screw the bolts tightly as illustrated.

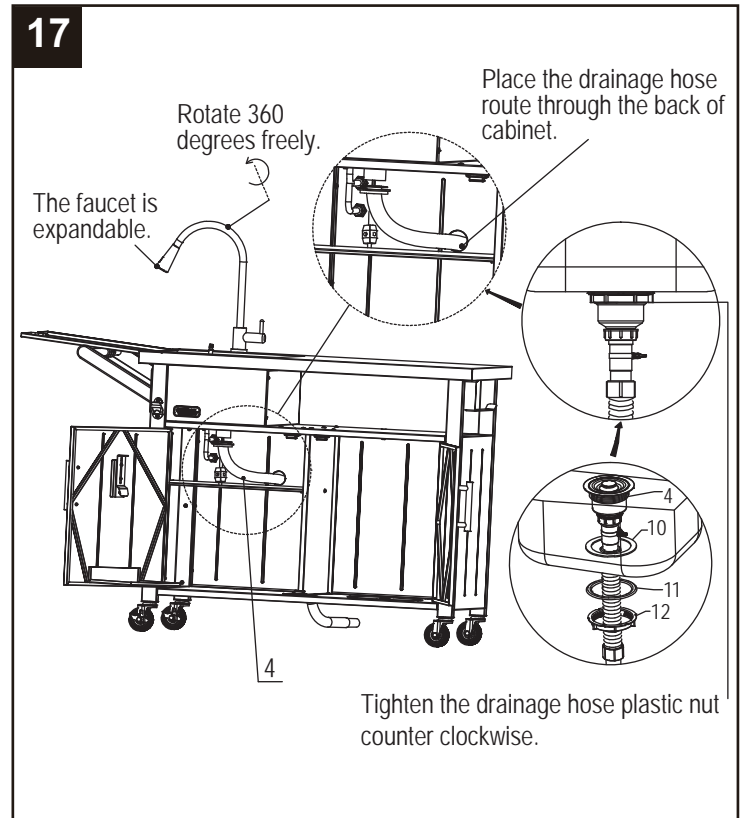
Note: Use Plumber putty/Teflon tape (not included) to seal the connection between the water pipes and water inlets to prevent leak if available.



ASSEMBLY INSTRUCTIONS

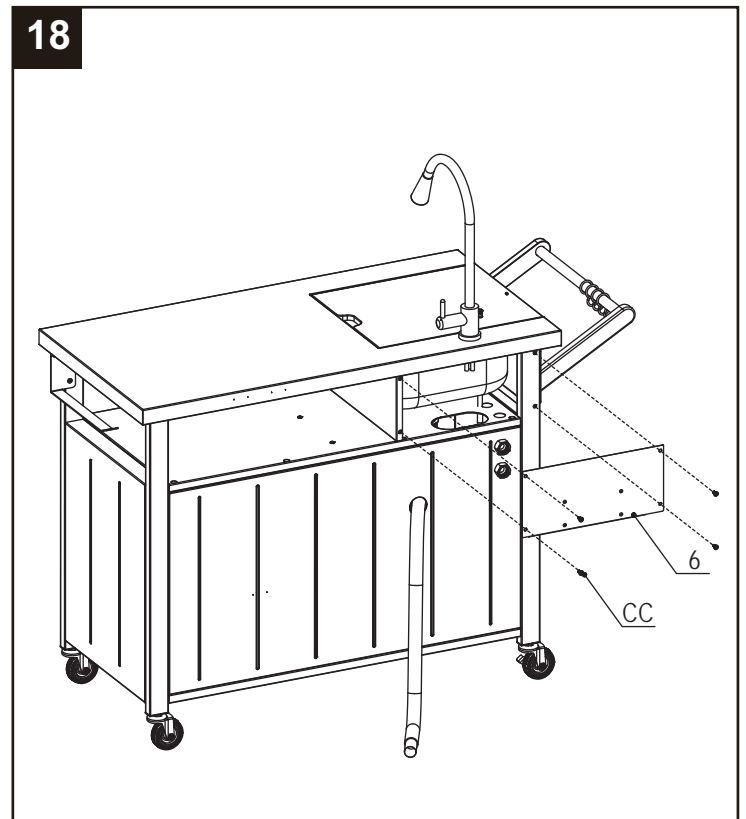
STEP 17

Insert the drainage hose assembly (#4) into the white waterproof washer (#10) and the bottom of sink by screwing it tightly with the black waterproof washer (#11) and plastic nut (#12) as illustrated, then feed the drainage hose through the upper panel of cabinet assembly, and route through the back of the cabinet.



STEP 18

Attach the sink rear panel (#6) to the cabinet assembly with (4) M5 x 10 bolts (CC) as illustrated.



Hardware Used

CC M5 x 10 Bolt  x4

ASSEMBLY INSTRUCTIONS

STEP 19

Cooking Prep Station
(Assembled)



CARE & MAINTENANCE

STAINLESS STEEL SURFACE

Under extreme conditions, stainless steel can rust and the rust may not be removable. These conditions may become more prevalent in coastal areas. Always use extra precautions while cleaning the stainless steel using a soft non-abrasive cloth and a stainless steel cleaner/polish to minimize the risk of scratching the surface.

PAINTED SURFACES

Wash with mild detergent or nonabrasive cleaner and warm soapy water. Wipe dry with a soft nonabrasive cloth.

If rust appears on the surface of your cooking prep station, clean and buff the affected area with steel wool or fine grit emery cloth.

Touch-up with a high quality outdoor/exterior paint.

To protect against excessive rust, keep all components clean and completely dry and the cooking prep station covered at all times when not in use.

Store assembled in a location away from children and pets.

WARRANTY INFORMATION

This appliance has been manufactured under the highest standard of quality and workmanship. We warrant to the original consumer purchaser that all aspects of this product will be free of defects in material and workmanship for one (1) year from the date of purchase. A replacement for any defective part will be supplied free of charge for installation by the consumer. Defects or damage caused by the use of other than genuine parts are not covered by this warranty. This warranty shall be effective from the date of purchase as shown in the purchaser's receipt.

This warranty is valid for the original consumer purchaser only and excludes industrial, commercial or business use of the product, product damage due to shipment or failure which results from alteration, product abuse, or product misuse, whether performed by a contractor, service company, or consumer. We will not be responsible for labor charges and/or damage incurred in installation, repair or replacement, nor for incidental or consequential damage.



Need help?

call our toll free number at:

1 (888)-909-3888 or

1 (888)-922-2336

e-mail us at:

Customerservice@academy.com