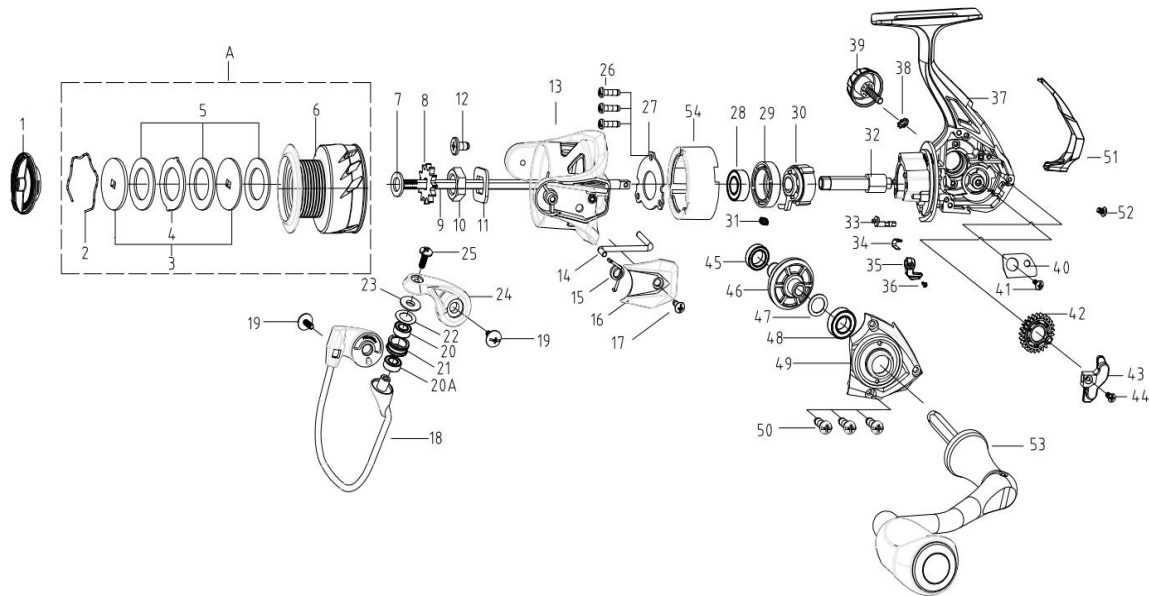


H2.OX

METTLE

171009



ITEM	DESCRIPTION	ITEM	DESCRIPTION	ITEM	DESCRIPTION
1	DRAG KNOB ASSY	23	WASHER	47	WASHER
2	RETAINER RING	24	BAIL ARM	48	BALL BEARING
3	KEY WASHER	25	SCREW	49	BODY COVER
4	EARED WASHER	26	SCREW	50	SCREW
5	DRAG WASHER	27	BALL BEARING RETAINER	51	REAR COVER
6	SPOOL SUB-ASSY	28	BALL BEARING	52	SCREW
6A	SPOOL -ASSY	29	BALL BEARING HOLDER	53	HANDLE ASSY
7	SPOOL CLICK RETAINER	30	ONE WAY CLUTCH	54	WATERPROOF RING COVER
8	CLICKER GEAR	31	CLUTCH SPRING		
9	MAIN SHAFT	32	PINION GEAR		
10	ROTOR NUT	33	ANTI-REVERSE LEVER		
11	WASHER	34	ANTI-REVERSE SWITCH SPRING		
12	SCREW	35	ANTI-REVERSE BUTTON		
13	ROTOR	36	SCREW		
14	TRIP PLUNGER	37	BODY ASSY		
15	BAIL ARM SPRING	38	WASHER		
16	ROTOR COVER	39	HANDLE SCREW CAP		
17	SCREW	40	O/S SLIDE RETAINER		
18	BAIL ASSY	41	SCREW		
19	SCREW	42	O/S GEAR		
20	BALL BEARING	43	SLIDER		
20A	BALL BEARING	44	SCREW		
21	LINE ROLLER	45	BALL BEARING		
22	LINE ROLLER WASHER	46	DRIVE GEAR		