

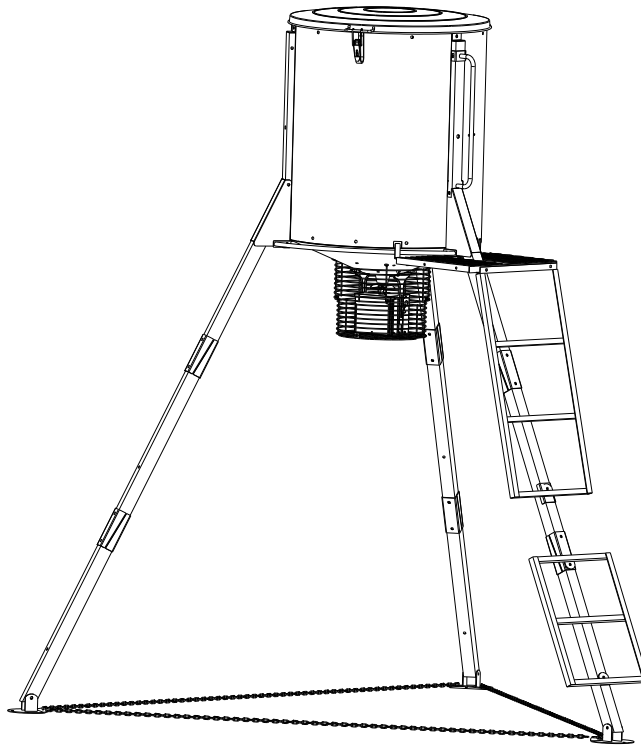


GAME WINNER®

Assembly Instructions

600 Lb BIG "A" VP Feeder

Style FSGWSF1017 (HU2015202-GW)



Please keep this instruction manual for future reference

**Customer Service: 1-888-837-1380, 8:00am to 5:00pm, Pacific Standard Time,
Monday thru Friday**

Email: customerservice@rankam.com

----- OR -----

Customer Service: 1-888-922-2336, 7:00am to 12:00am CST daily

Live Chat at: www.academy.com

Email: customerservice@academy.com

(Made in China)

Table of Contents	Page
--------------------------	-------------

Warnings -----	3-8
Tools required (not included)-----	9
Parts List -----	10-12
Hardware List -----	13
Parts List / Hardware – Timer Kit Set -----	14
Solar Panel Ready Kit-----	15
Assembly Instructions -----	16-32
How to load your feeder -----	33
How to install the battery /	
How to operate the timer -----	34
Care and Maintenance -----	35
Assembly Instructions of 155060 Game Winner	
6V Solar Panel Charger (not included)-----	36-38
Warranty -----	39-40

NOTE: Before beginning assembly of product, make sure all parts are present. Compare parts with package content list and hardware contents. If any part is missing or damaged do not attempt to assemble the unit. Contact customer service for replacement parts.

Warnings

PAY ATTENTION to these statements when reading this manual and the information contained can save your life.

⚠ DANGER: Indicates an imminently hazardous situation which, if not avoided, will result in death or serious injury.

⚠ WARNING: Be alert to the possibility of serious bodily injury if the instructions are not followed. Be sure to read and carefully follow all of the messages.

⚠ CAUTION: Indicates a potentially hazardous situation which, if not avoided, may result in minor or moderate injury.

Your Game Winner 600 Lb BIG "A" VP Feeder is designed, engineered and constructed in a manner that makes it a rugged piece of hunting equipment that will give you years of service. This rugged construction makes your feeder physically heavy. As such, you should never attempt to assemble this feeder alone. **YOU MUST HAVE A MINIMUM OF TWO (2) ADULTS FOR THE SAFE ERECTION OF YOUR FEEDER. FAILURE TO FOLLOW THESE INSTRUCTIONS MAY RESULT IN SERIOUS INJURY OR DEATH!**

THIS FEEDER MUST BE ERECTED ONLY ON A FIRM AND LEVEL GROUND. PRIOR TO CLIMBING THE LADDER TO FILL THE HOPPER, RECOMMENDED INSTALL THREE (3) STAKES (NOT INCLUDED). FAILURE TO FOLLOW THESE INSTRUCTIONS MAY RESULT IN SERIOUS INJURY OR DEATH!

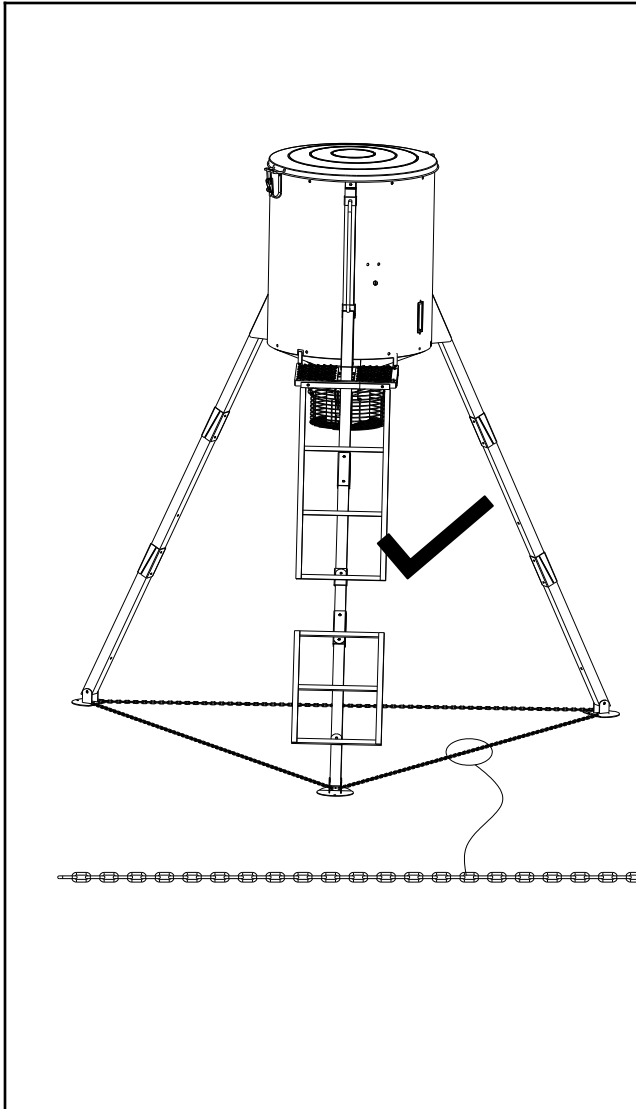
REFER TO THE IMAGES IN THIS MANUAL FOR VISUALIZATION OF THE ASSEMBLY PROCESS IN ADDITION TO READING THE INSTRUCTIONS.

SOME PARTS CONTAIN SHARP EDGES. SHARP POINTS OR EDGES CAN SCRATCH, POKE, OR PUNCTURE. WEAR APPROPRIATE CLOTHING AND SAFETY GLOVES DURING ASSEMBLY.

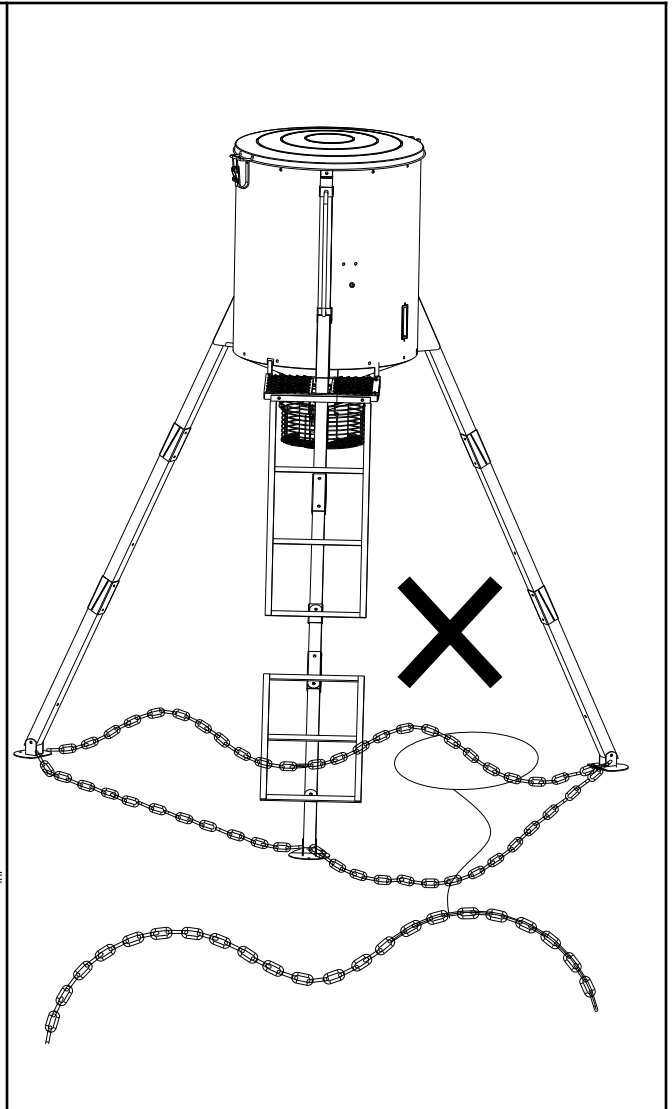
THIS UNIT IS HEAVY. DO NOT ASSEMBLE WITHOUT ANOTHER ADULT. FAILURE TO FOLLOW THESE INSTRUCTIONS MAY RESULT IN SERIOUS INJURY OR DEATH!

PRIOR TO ATTEMPTING TO USE THIS UNIT, TAKE A MOMENT TO BECOME FAMILIAR WITH THE ASSEMBLY, SETUP AND INSTALLATION. FAILURE TO FOLLOW THESE INSTRUCTIONS MAY RESULT IN SERIOUS INJURY OR DEATH!

Warnings



WARNING:
CHAINS SHOULD BE TIGHT AFTER ASSEMBLY. IF CHAINS ARE TIGHT THEN YOUR FEEDER IS ASSEMBLED CORRECTLY AND SAFELY



WARNING:
IF THE CHAINS ARE LOOSE OR MISSING AFTER ASSEMBLY, THEN YOUR FEEDER IS ASSEMBLED INCORRECTLY. IT IS EXTREMELY UNSAFE AND WILL POTENTIALLY FALL DURING USE RESULTING IN SERIOUS INJURY OR DEATH.

THERE MUST BE NO SLACK IN THE CHAIN OR THE LEGS WILL FAIL. THE CHAIN IS THE MOST CRITICAL PART OF THIS FEEDER. IT IS IMPERATIVE THAT THE CHAIN BE PROPERLY IN PLACE BEFORE LOADING FEED.

Warnings

DO NOT USE THIS UNIT AROUND POWER GENERATING EQUIPMENT (TRANSFORMERS, GENERATORS, SUBSTATIONS, ETC) AND/OR TRANSMISSION EQUIPMENT (POWER LINES). FAILURE TO FOLLOW THESE INSTRUCTIONS MAY RESULT IN SERIOUS INJURY OR DEATH!

DO NOT LOAD FEED WITHOUT ANOTHER ADULT. FAILURE TO FOLLOW THESE INSTRUCTIONS MAY RESULT IN SERIOUS INJURY OR DEATH!

DO NOT CLIMB ON AND/OR LOAD FEEDER UNDER AND/OR DURING BAD WEATHER SUCH AS STORMS, SNOW, LIGHTNING OR THUNDERSTORM. FAILURE TO FOLLOW THESE INSTRUCTIONS MAY RESULTS IN SERIOUS INJURY OR DEATH!

DO NOT SIT OR STAND ON OR INSIDE THE HOPPER. FAILURE TO FOLLOW THESE INSTRUCTIONS MAY RESULT IN SERIOUS INJURY OR DEATH!

DO NOT LOAD OVER 600 POUNDS OF FEED. FAILURE TO FOLLOW THESE INSTRUCTIONS MAY RESULT IN SERIOUS DAMAGE TO THIS UNIT.

DO NOT LOAD FEEDER UNTIL IT IS COMPLETELY ASSEMBLED AND STANDING UP IN PLACE.

DO NOT STORE OR HANG ITEMS ON THE HOPPER, LADDER STEPS OR STAND PLATFORM. FAILURE TO FOLLOW THESE INSTRUCTIONS MAY RESULT IN SERIOUS DAMAGE TO THIS UNIT.

DO NOT DISASSEMBLE AND/OR REMOVE PARTS WITHOUT ANOTHER ADULT PRESENT. FAILURE TO FOLLOW THESE INSTRUCTIONS MAY RESULT IN SERIOUS INJURY OR DEATH!

DO NOT ASSEMBLE, DISASSEMBLE AND/OR REMOVE PARTS FROM THE FEEDER UNDER AND/OR DURING BAD WEATHER SUCH AS STORM, SNOW, LIGHTNING OR THUNDERSTORM. FAILURE TO FOLLOW THESE INSTRUCTIONS MAY RESULT IN SERIOUS INJURY OR DEATH!

IT IS EXTREMELY UNSAFE AND DANGEROUS SHOULD THE CHAINS BECOME LOOSE AFTER ASSEMBLY. FEEDER WITH LOOSE CHAINS, MISSING CHAIN AND/OR NO CHAIN WILL FALL DOWN, RESULTING IN SERIOUS INJURY OR DEATH.

Warnings

LOADING FEED REQUIRES CLIMBING THE LADDER SEVERAL TIMES. DO NOT ATTEMPT TO LOAD A FULL LOAD OF FEED AT ONE TIME. FAILURE TO FOLLOW THESE INSTRUCTIONS MAY RESULT IN SERIOUS INJURY OR DEATH.

DO NOT JUMP DOWN FROM THE LADDER AND/OR PLATFORM. FAILURE TO FOLLOW THESE INSTRUCTIONS MAY RESULT IN SERIOUS INJURY OR DEATH!

DO NOT LOAD AND/OR CLIMB THE FEEDER IF YOU FIND ANY OF PART #15 (FOOT CHAIN) MISSING, DAMAGED AND/OR LOOSE. FAILURE TO FOLLOW THESE INSTRUCTIONS MAY RESULT IN SERIOUS INJURY OR DEATH!

THE 6 V RECHARGEABLE BATTERY (NOT INCLUDED) SHOULD HAVE A COMPLETE CHARGE PRIOR TO THE FIRST TIME OF OPERATION. THIS REQUIRES A MINIMUM OF AT LEAST SIX (6) HOURS OF CHARGING.

THE PROPER SPACING BETWEEN THE SPIN PLATE AND THE FUNNEL IS 3/8 INCH. THIS IS VERY IMPORTANT FOR SERVICE FREE OPERATION.

TO TEST YOUR FEEDER FOLLOW THE INSTRUCTIONS IN THE TIMER MANUAL. DO NOT TEST FEEDER WHEN IT CONTAINS FEED. TEST FEEDER WHEN EMPTY ONLY! TESTING THE FEEDER WHILE IT CONTAINS FEED WILL CAUSE FEED TO BE DISCHARGED AT A HIGH VELOCITY AND COULD RESULT IN BODY INJURY. FAILURE TO FOLLOW THESE INSTRUCTIONS MAY RESULT IN SERIOUS INJURY OR DEATH!

OPERATION IS SUBJECT TO THE FOLLOWING TWO CONDITIONS:

- THIS DEVICE MAY NOT CAUSE HARMFUL INTERFERENCE.
- THE DEVICE MUST ACCEPT ANY INTERFERENCE RECEIVED, INCLUDING INTERFERENCE THAT MAY CAUSE UNDESIRED OPERATION.

THOROUGHLY INSPECT THE FEEDER PRIOR TO EACH USE FOR SIGNS OF WEAR, ROT, CORROSION, CRACKS, DETERIORATION AND/OR ANY OTHER TYPE OF DEFECT. DO NOT USE THIS FEEDER IF IT SHOWS EVIDENCE OF WEAR, ROT, CORROSION, CRACKS, DETERIORATION AND/OR ANY OTHER TYPE OF DEFECT. FAILURE TO FOLLOW THESE INSTRUCTIONS MAY RESULT IN SERIOUS INJURY OR DEATH. DO NOT REMOVE, MODIFY AND/OR OMIT ANY PART OR OTHERWISE MECHANICALLY MODIFY THIS UNIT OR ITS ASSEMBLY IN ANY MANNER. MODIFICATION, OMISSION AND/OR PART SUBSTITUTION MAY RESULT IN SERIOUS INJURY OR DEATH!

Warnings

**⚠ BEFORE STANDING UP THE FEEDER, YOU MUST...
CHECK ALL HARDWARE TO BE SURE IT IS IN
PLACE AND TIGHT.**

**CHECK ALL BOLTS AND NUTS TO BE SURE THEY
ARE FIRM AND TIGHT.**

**CHECK TO BE SURE ALL ANGLES ON PART #1 (TOP
ROUND) ARE POINTED TO THE OVERLAPPED PART.
CHECK ALL PART #15 (FOOT CHAINS) TO BE SURE
NONE ARE MISSING.**

**CHECK ALL PART #15 (FOOT CHAINS), A TOTAL OF
THREE (3) PIECES TO BE SURE THEY ARE IN THE
PROPER PLACE AND TIGHT. IF YOU FIND THE
CHAINS ARE LOOSE AFTER ASSEMBLY, YOUR
FEEDER IS ASSEMBLED INCORRECTLY,
EXTREMELY UNSAFE AND DANGEROUS. A FEEDER
WITH LOOSE AND/OR MISSING CHAINS WILL
COLLAPSE, RESULTING IN SERIOUS INJURY OR
DEATH.**

**DO NOT THROW AWAY THE PACKAGING MATERIAL
AT THIS TIME.**




Warnings



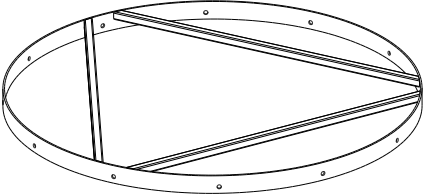
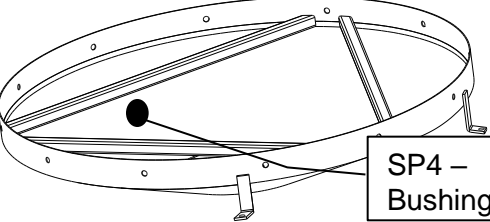
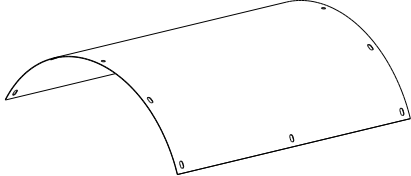
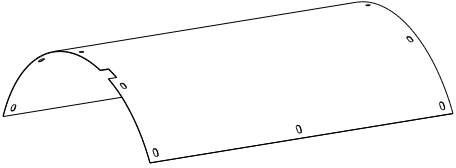
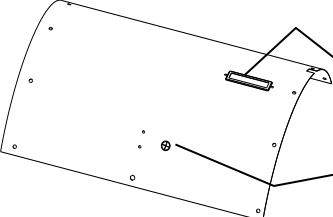
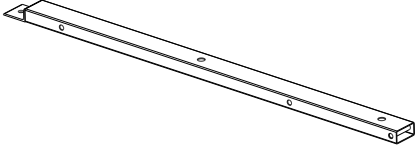
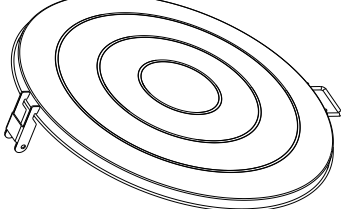
! IMPORTANT !

THE MANUFACTURER OF 600 Lb BIG "A" VP FEEDER IS NOT RESPONSIBLE FOR ANY INACCURATE INFORMATION YOU HAVE RECEIVED REGARDING STATE FEEDING REGULATIONS. PLEASE ALWAYS KEEP YOUR INFORMATION UP-TO-DATE AND RELIABLE. MANY STATE LAWS CHANGE AND ARE AMENDED WITHOUT NOTICE. ALWAYS DOUBLE CHECK YOUR STATE AND SPECIFIC COUNTY FEEDING LAWS REGARDING THE USE OF FEEDERS.

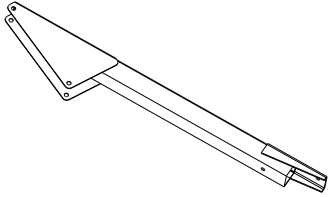
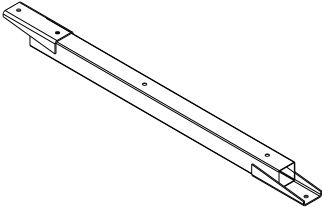
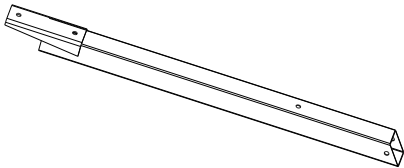
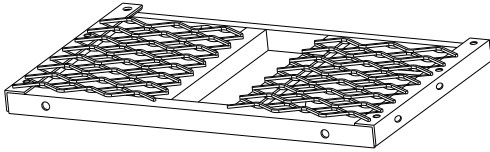
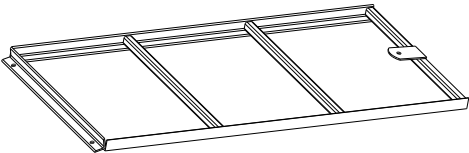
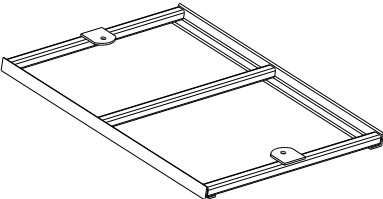
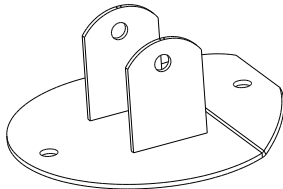
Tools Required (not included)

1	Philips & Flathead Screwdrivers	
2	Pliers	
3	Wrench	


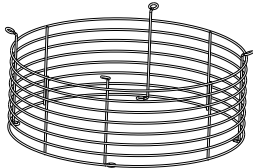
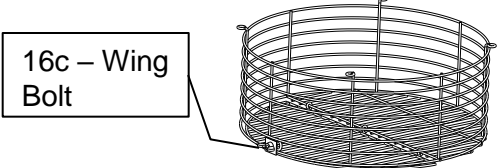

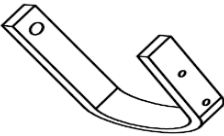
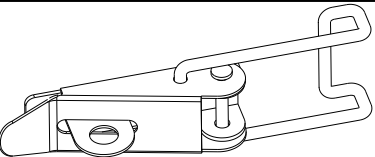
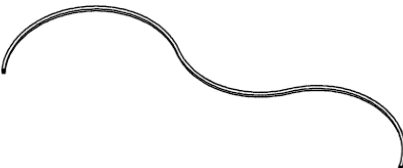

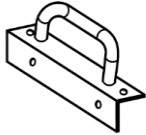
Parts List

1	Top Round		1pc
2	Bottom Bowl	 <p>SP4 – Bushing</p>	1pc
3	Body A		1pc
4	Body B		1pc
5	Body C	 <p>5b – Feed window</p> <p>SP4 – Bushing</p>	1pc
6	Body Bar		3pcs
7	Lid		1pc

Parts List

8	Upper Leg		3pcs
9	Middle Leg		3pcs
10	Lower Leg		3pcs
11	Stand Platform		1pc
12	Upper Ladder		1pc
13	Lower Ladder		1pc
14	Feet		3pcs

Parts List

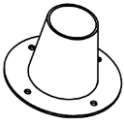
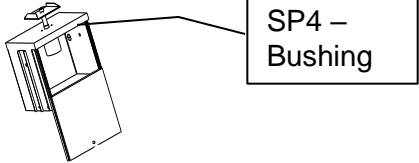

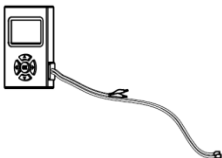
15	Foot Chain		3pcs
16a	Top Varmint Guard		1pc
16b	Bottom Varmint Guard	 <p>16c – Wing Bolt</p>	1pc
17	Front Handle		1pc
18	Lock Latch		1pc
19	Lock	 <p>Pre-attached on Lock Latch (#18)</p>	1pc
20	Seal Strip		1pc
21	Stabilizer		3pcs
22	D Shape Platform Handle		1pc

Hardware





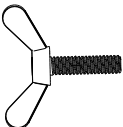
A	Hex. Bolt (M8x70)	A long hexagonal bolt with a threaded section at the end.	25 pcs
B	Hex. Bolt (M8x40)	A medium-length hexagonal bolt with a threaded section.	6 pcs
C	Hex. Bolt (M8x20)	A short hexagonal bolt with a threaded section.	4 pcs
D	Hex. Bolt (M8x15)	A very short hexagonal bolt with a threaded section.	21 pcs
E	Hex. Bolt (M6x30)	A medium-length hexagonal bolt with a threaded section.	3 pcs
F	Round Bolt (M6x20)	A round bolt with a threaded section.	12 pcs
G	Flat Washer (dia. 6mm)	A circular flat washer with a central hole.	11 pcs
H	Locking Nut (M8)	Two views of an M8 locking nut: a top view showing the hexagonal shape and a side view showing the hexagonal shape and the locking feature.	32 pcs
I	Locking Nut (M6)	Two views of an M6 locking nut: a top view showing the hexagonal shape and a side view showing the hexagonal shape and the locking feature.	11 pcs
J	Flat Washer (dia. 8mm)	A circular flat washer with a central hole, larger than the 6mm washer.	52 pcs

Parts List - Timer Kit Set

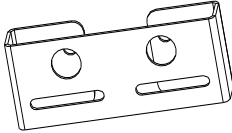



!! Components and Hardware are packed INSIDE the Timer Kit Set package!!

23	Funnel		1 pc
24	Timer Kit		1 pc
25	Mounting Bracket		2 pcs
26	Digital Timer		1 pc

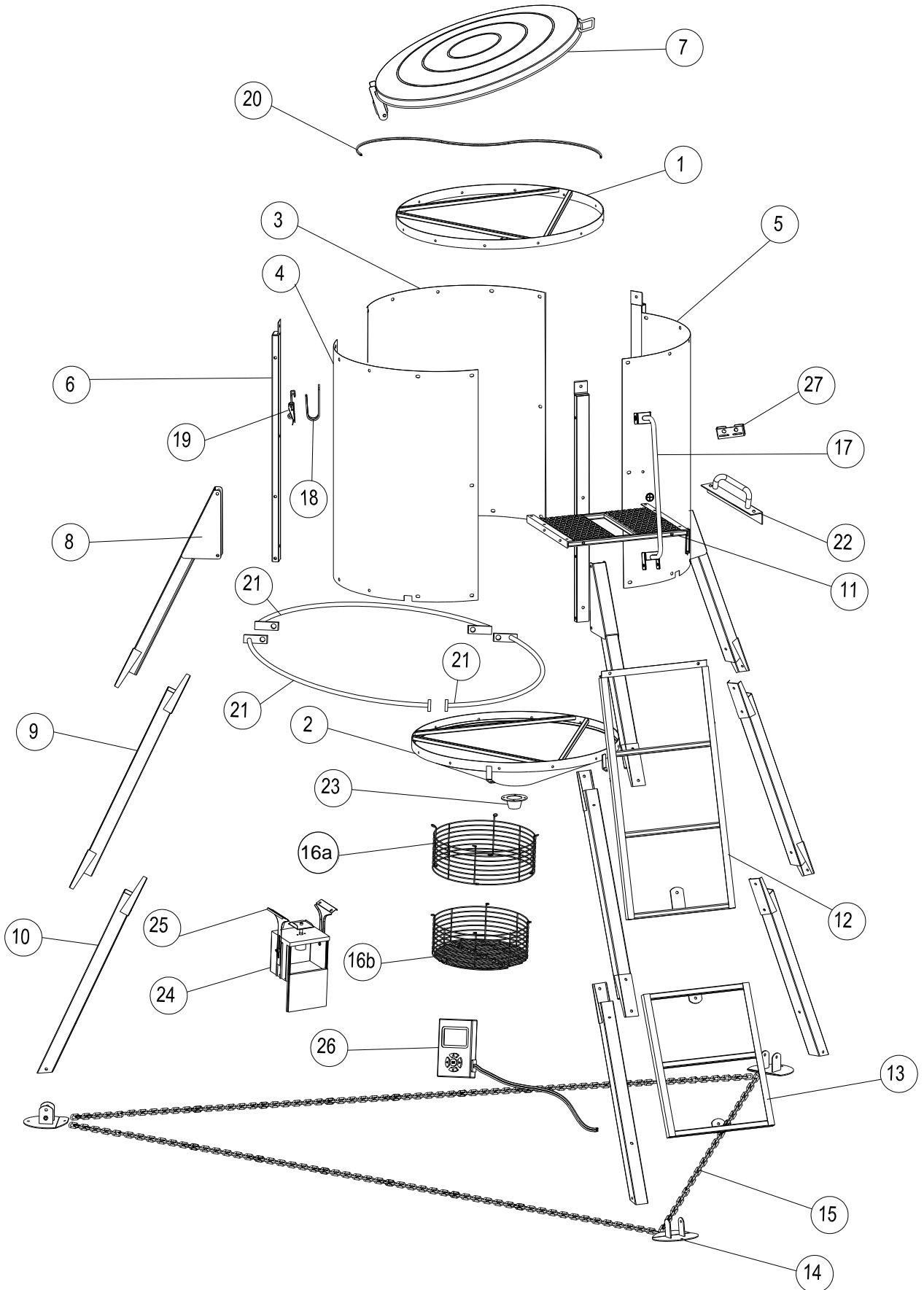
Hardware List - Timer Kit Set

K	Hex. Bolt (M6x20)		10 pcs
L	Flat Washer (dia. 6mm/18)		2 pcs
M	Butterfly Nut (M6)		2 pcs
N	Flange Nut (M6)		2 pcs
R	Wing Bolt		1 pc

Solar Panel Ready Kit

27	Universal Solar Panel Fixture		1 pc
SP1	M5x12 Bolt		2 pcs
SP2	M5 Nut		2 pcs
SP3	M6x15 Bolt	 Pre-attached on Hopper Top Section	2 pcs

Product Diagram



Assembly Instructions

Step 1:

Orient Top Round (#1), Bottom Bowl (#2) and Body Panels (#3,4,5) per figure. Pay attention to the orientation of Left and Right brackets on Bottom Bowl (#2)

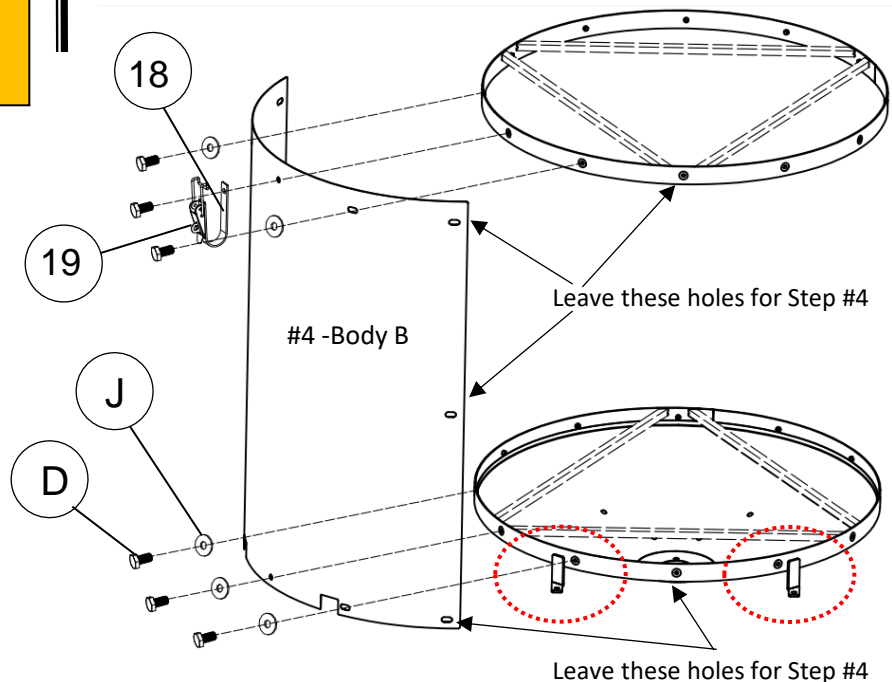
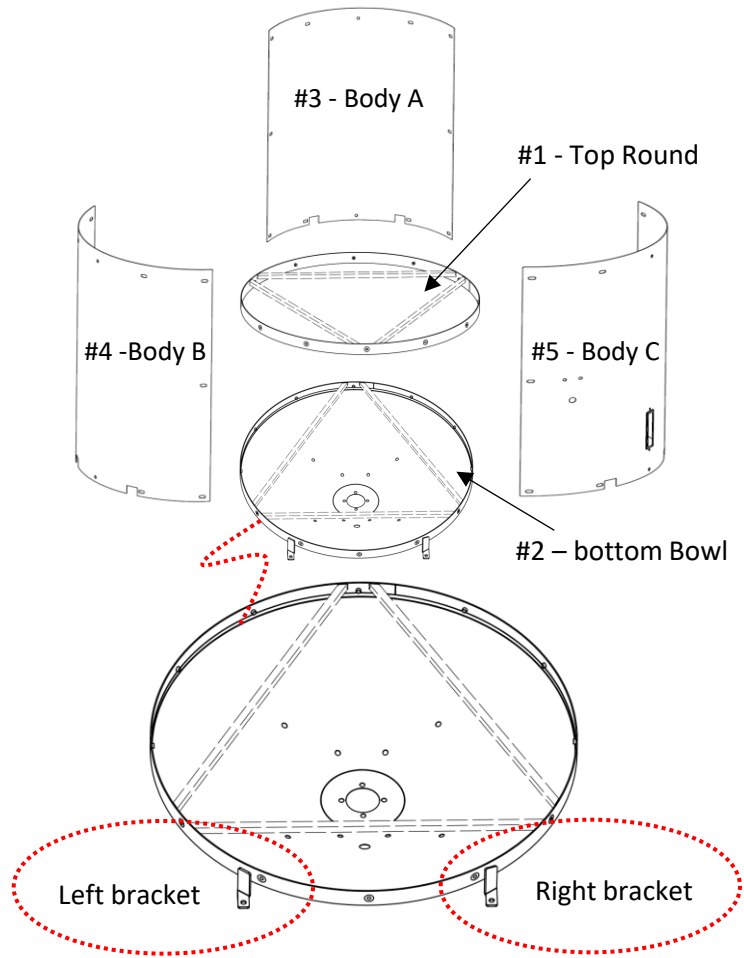
Note the corners of Body B (#4) and Body C (#5) are overlapping on Top Round (#1) and Bottom Bowl (#2) in Step #2

Stabilize the Bottom bowl (#2) on the ground with the 2 small brackets facing front. Attach Body B (#4) to Top Round (#1) and Bottom Bowl (#2) with bolts (D, M8 x 15) and flat washers (J, 8mm). At the same time, attach the Lock/Lock Latch (#18 & #19) assembly to the Top Round (#1) at the center hole (no need to use washer on this hole) .**DO NOT** tighten bolts in this stage.

Orientation of Triangular Structure (square tubes) in Bottom Bowl (#2) may differ from picture

Hardware :

#D – 6pcs #J – 5pcs



Assembly Instructions

Step 2:

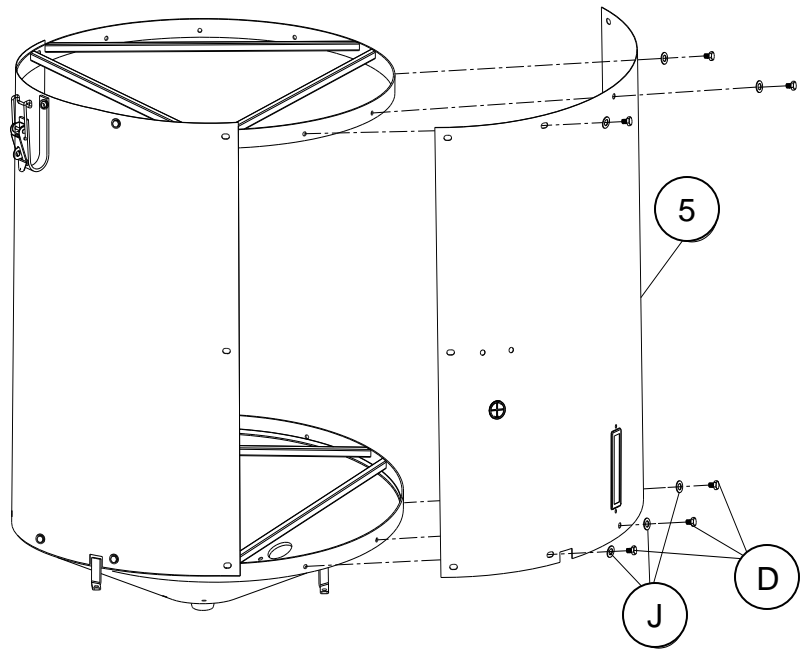
Attach Body C (#5) to Top Round (#1) and Bottom Bowl (2) using bolts (D, M8x15) and flat washers (J, 8mm) at the CENTER HOLES. DO NOT tighten bolts.

Note: Body edges will overlap each other.

Hardware :

#D – 6pcs

#J – 6pcs



Step 3:

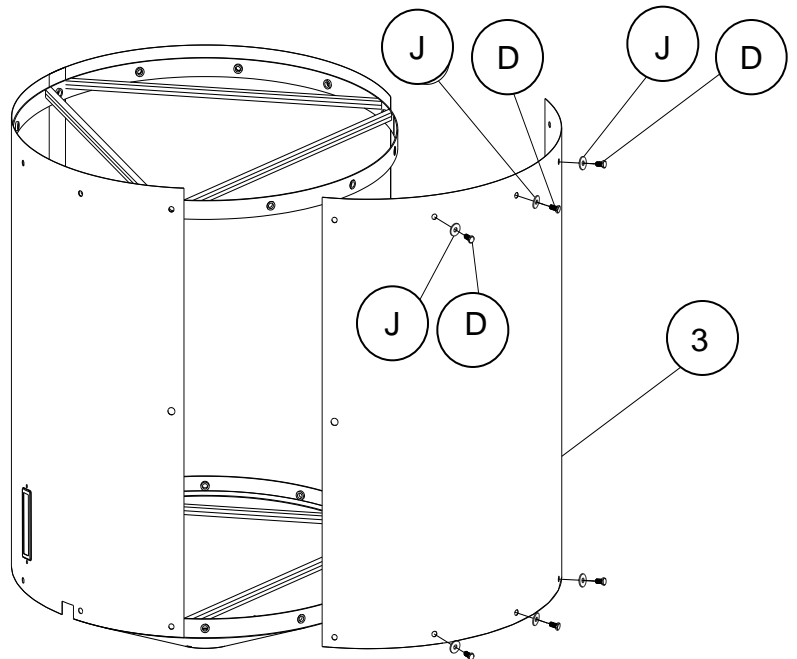
Attach Body A (#3) to Top Round (#1) and Bottom Bowl (#2) using bolts (D, M8x15) and flat washers (J, 8mm) at the CENTER HOLES. DO NOT tighten bolts.

Note: Body edges will overlap each other.

Hardware :

#D – 6pcs

#J – 6pcs



Assembly Instructions

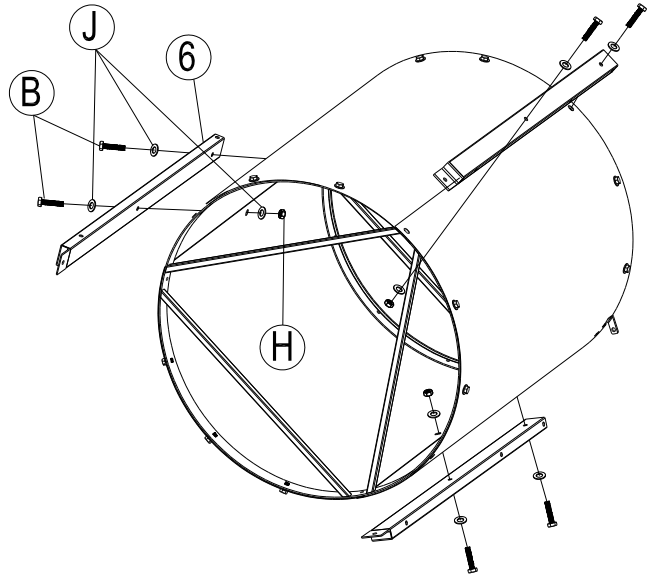
Step 4:

Attach the three Body Bars (#6) to the assembled hopper in previous steps. At the lower holes, use bolts (B, M8x40) and flat washers (J, 8mm). At the middle holes, use bolts (B, M8x40), **2 pcs** flat washers (J, 8mm) and locking nuts (H, M8). **TIGHTEN** all bolts.

Hardware :

#B – 6pcs #H – 3pcs

#J – 9pcs

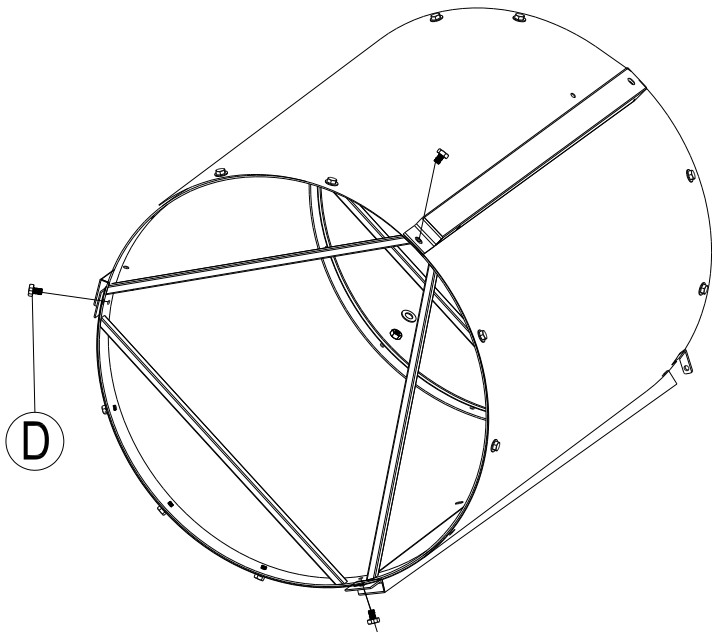


Step 5:

Continue in previous step. At the upper holes of Body Bars (#6), use bolt (D, M8x15). **TIGHTEN** all bolts.

Hardware :

#D – 3pcs



Assembly Instructions

Step 6:

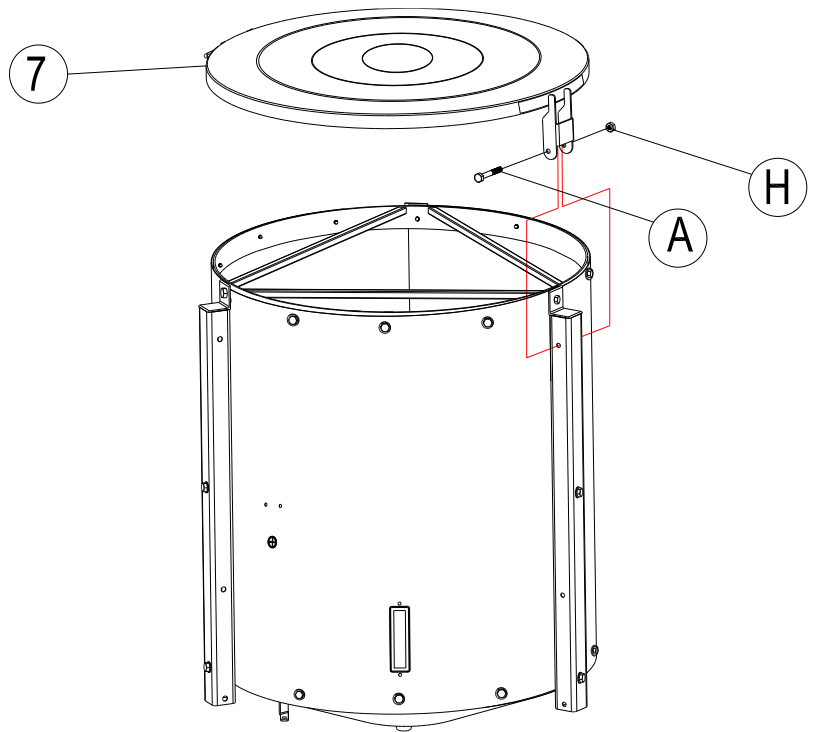
Assemble Lid (#7) to the hopper using bolt (A, M8x70) and locking nut (H, M8). **NO NEED** to tighten the bolt as the lid should open and close freely.

Note: the handle on the Top Round (#1) should align with the Lock assembly in step 3.

Hardware :

#A – 1pc

#H – 1pc



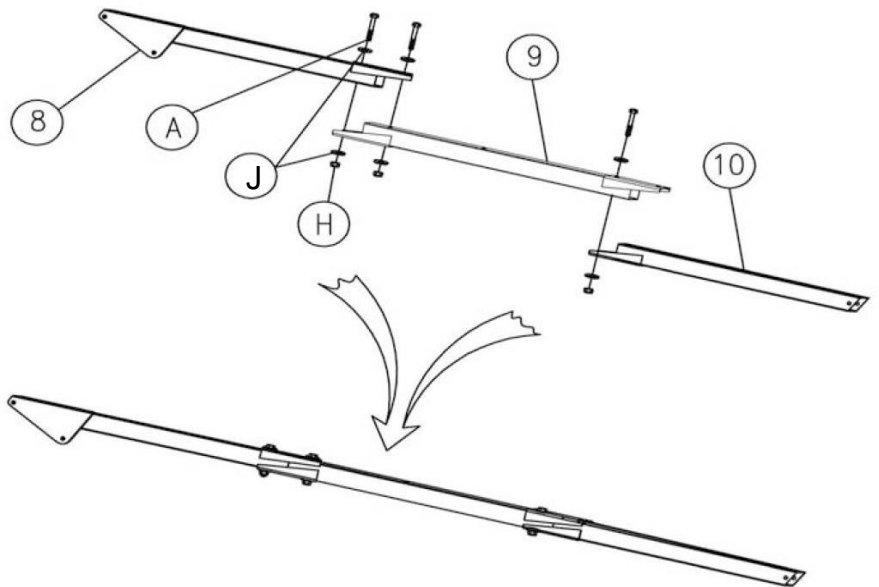
Step 7:

Assembly of the Three legs. Attach Upper Leg (#8) to the Middle Leg (#9) using bolts (A, M8x70), flat washers (J, 8mm) and locking nuts (H, M8). In the same manner, attach the Lower Leg (#10) to the Middle Leg (#9) using bolts (A, M8x70), flat washers (J, 8mm) and locking nuts (H, M8). **TIGHTEN** all bolts. **Reserve the bottom hole on middle Leg (#9) for Step 10.**

Hardware :

#A – 9pcs #H – 9pcs

#J – 18pcs



Assembly Instructions

Step 8:

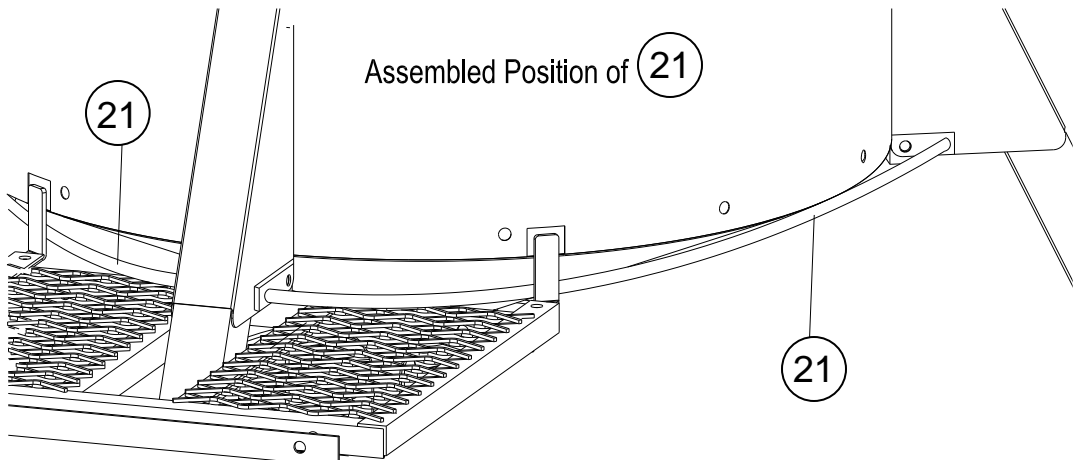
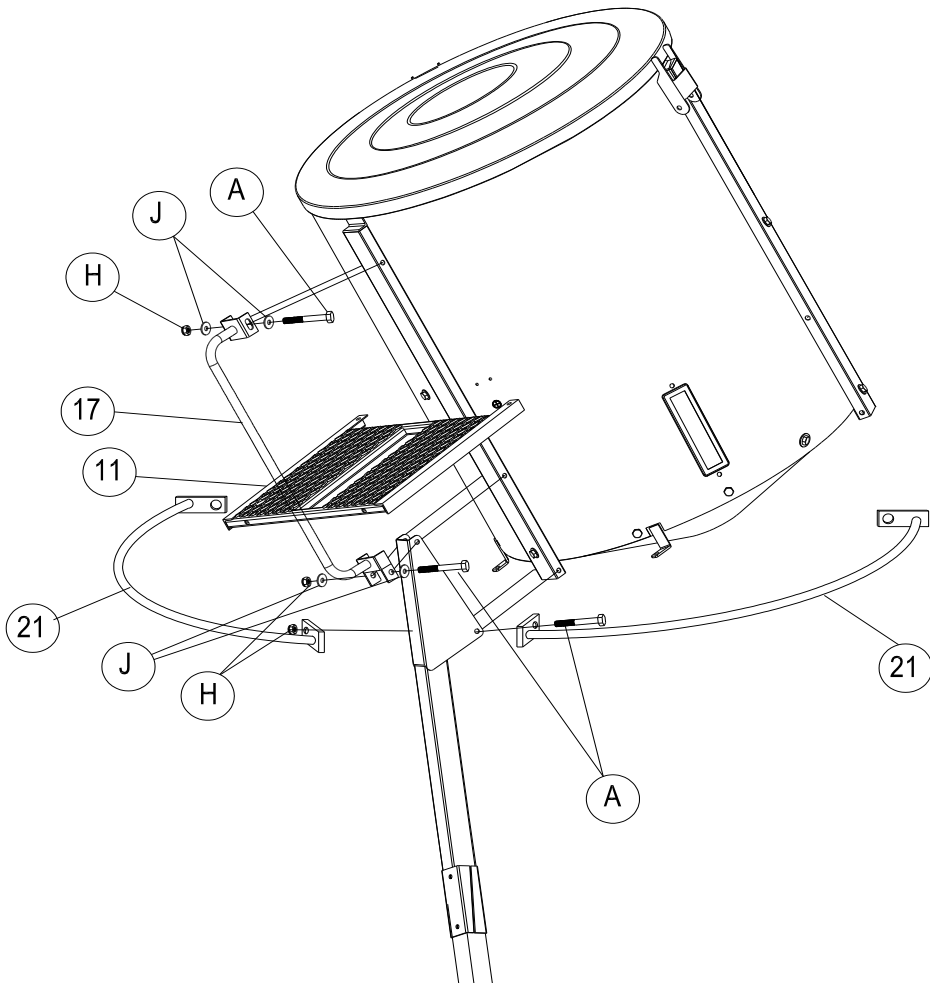
Insert an Upper Leg (#8) through the slot on the Stand Platform (#11) and then attach it to the Body bar (#6). Tighten with bolts (A, M8x70) and locking nuts (H, M8) at the lower hole meanwhile attach Stabilizers (#21) per diagram. At the same time, attach Front Handle (#17) to the Body Bar (#6) using bolt (A, M8x70) and nut (H, M8). Note: Four flat washers (J, 8mm) are required at the top and bottom brackets of the Front Handle.

Hardware :

#A – 3pcs

#H – 3pcs

#J – 4pcs



Assembly Instructions

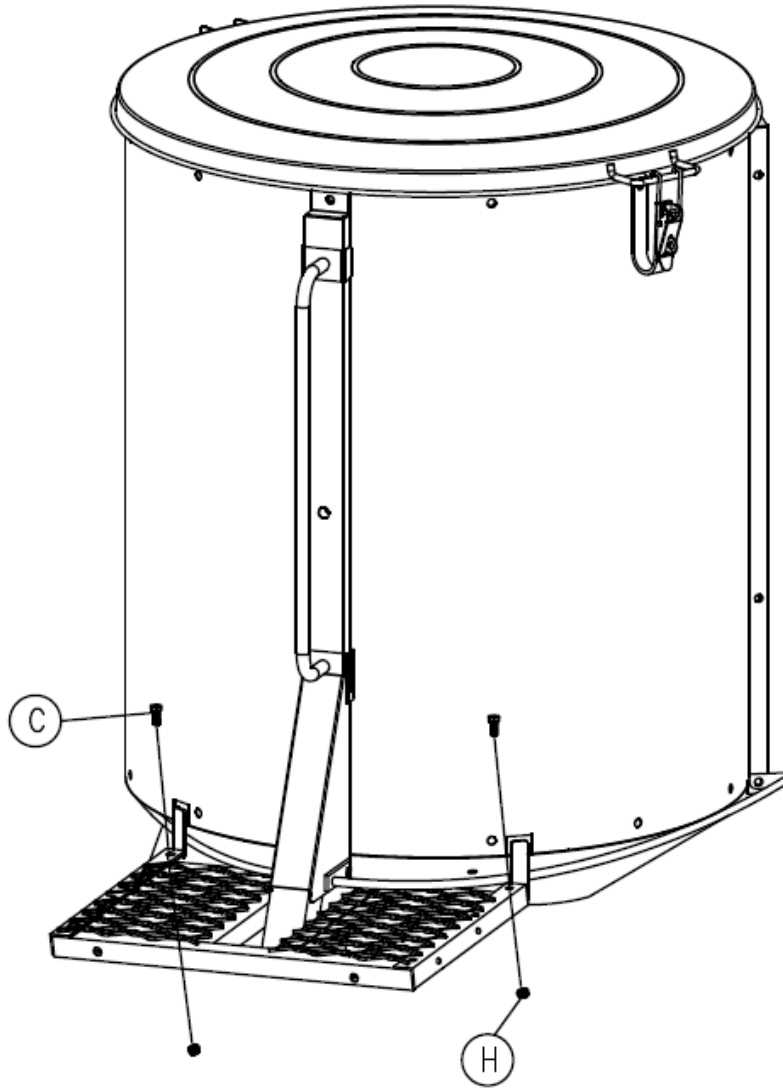
Step 9:

Attach the Stand Platform (#11) to the 2 small brackets (on Bottom bowl #2) using bolts (C, M8x20) and locking nuts (H, M8).

Hardware :

#C – 2pcs

#H – 2pcs



Assembly Instructions

Step 10:

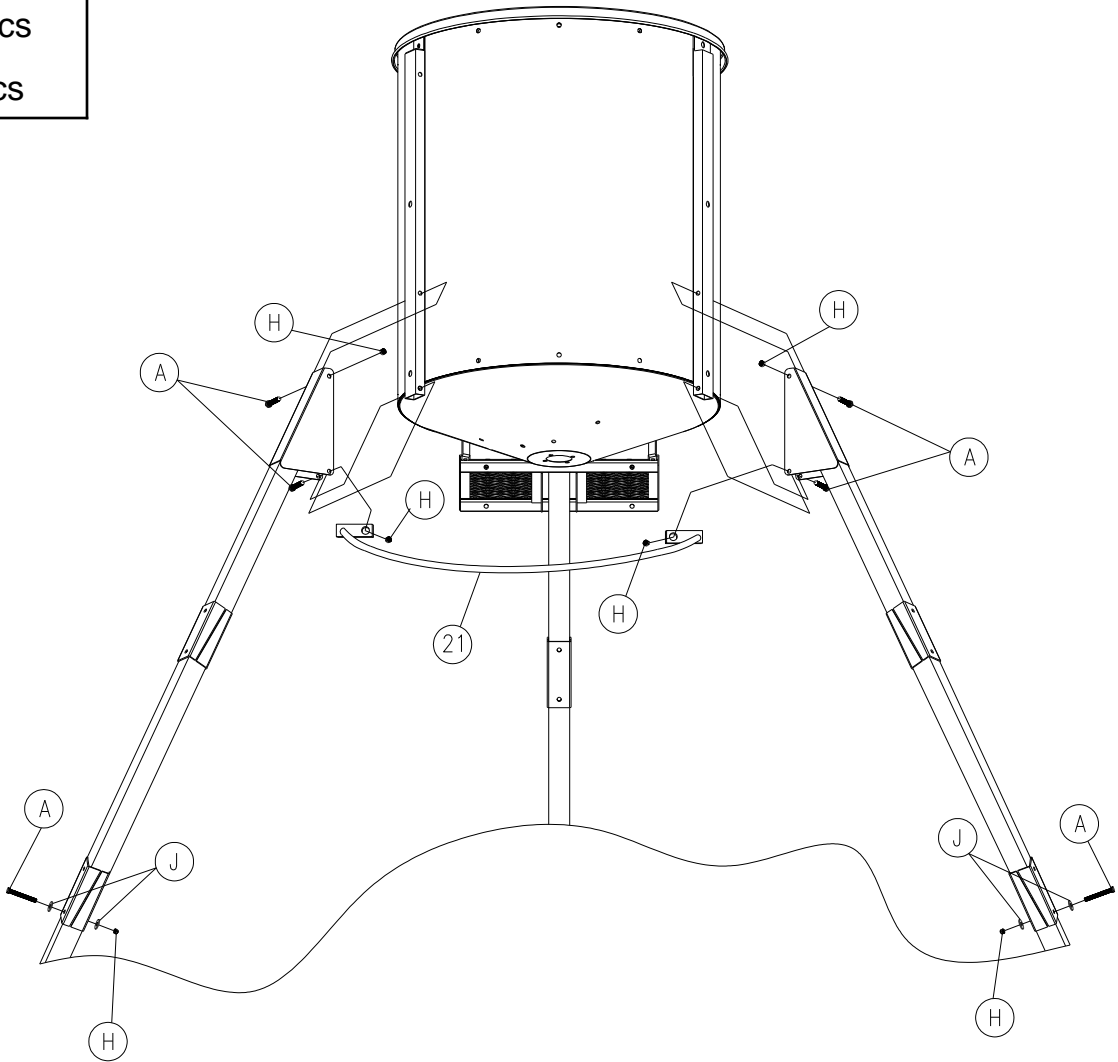
Attach the other 2 Leg assemblies to the hopper using bolts (A, M8x70) and locking nuts (H, M8). At the same time, attach Stabilizers (#21) to the leg assemblies. At the bottom holes of these two Middle Legs (#9), secure with bolts (A, M8x70), washers (J, 8mm) and locking nuts (H, M8).

Hardware :

#A – 6pcs

#H – 6pcs

#J – 4pcs



Assembly Instructions

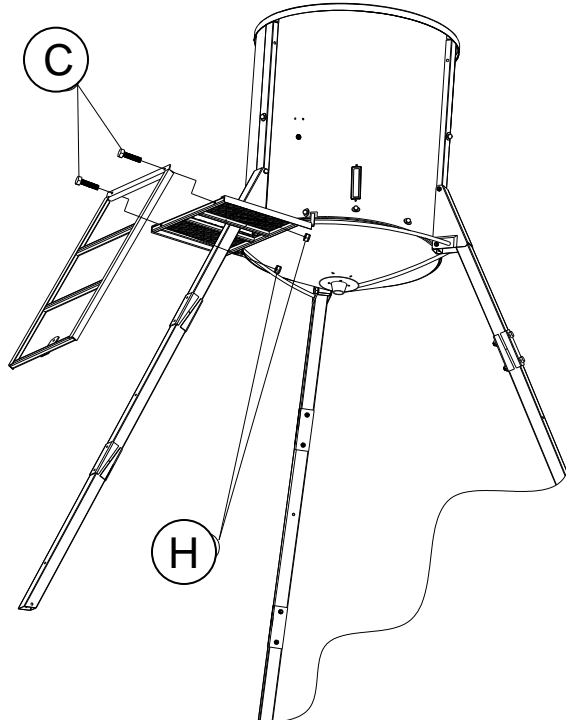
Step 11:

Attach the top of the Upper Ladder (#12) to the Stand Platform (#11) using bolt (C, M8x20) and locking nuts (H, M8).

Hardware :

#C – 2pcs

#H – 2pcs



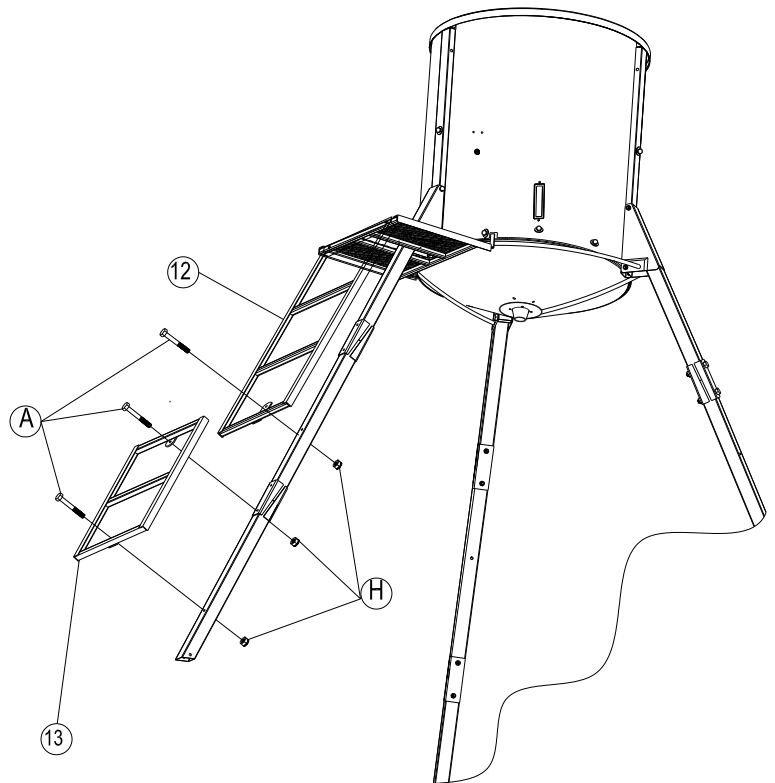
Step 12:

Continue in previous step. Attach the lower end of the Upper Ladder (#12) to the Middle Leg (#9) using bolt (A, M8x70) and locking nut (H, M8). In the same manner, attach the Lower Ladder (#13) to the leg assembly using bolts (A, M8x70) and locking nuts (H, M8).

Hardware :

#A – 3pcs

#H – 3pcs



Assembly Instructions

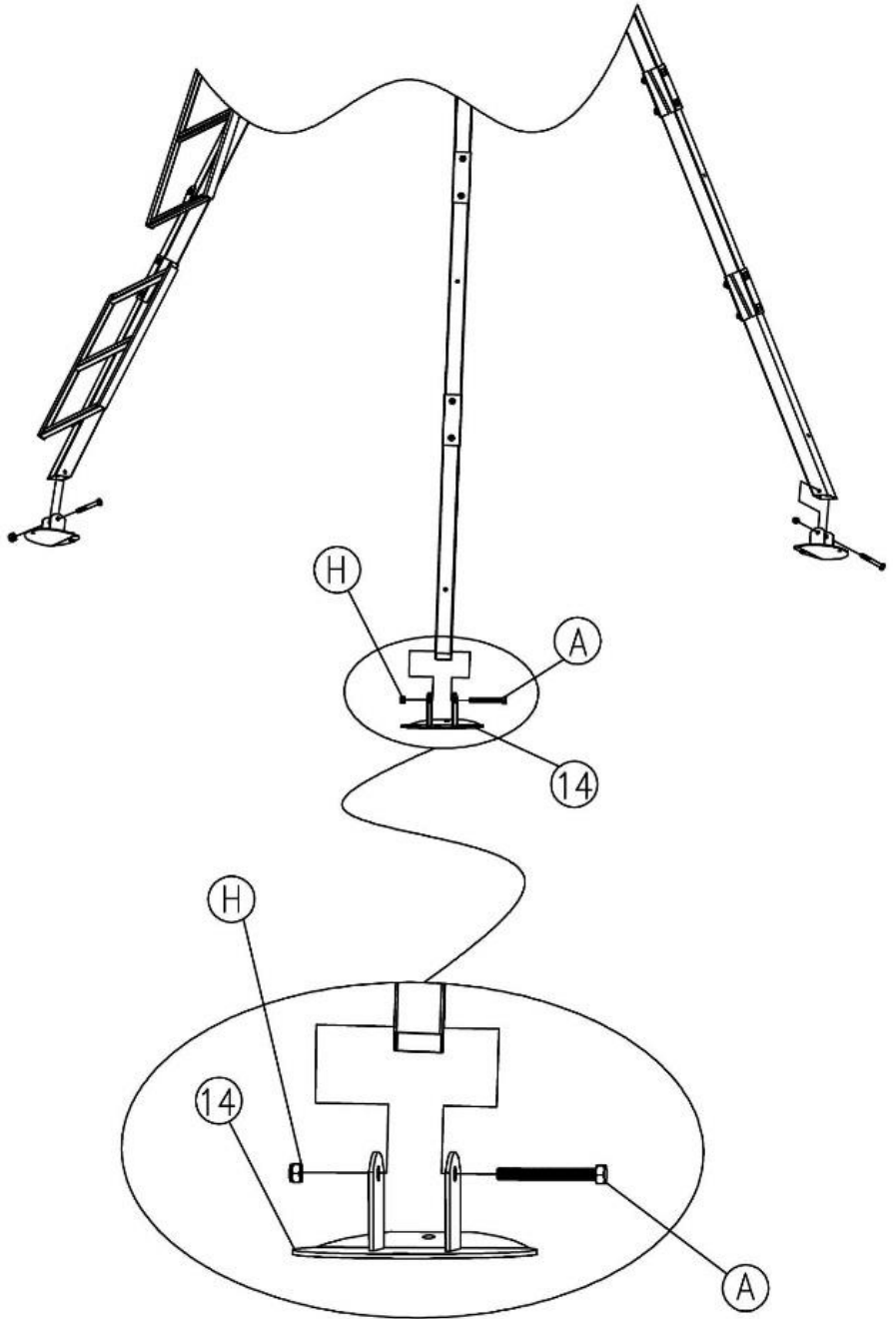
Step 13:

Attach Feet (#14) to the leg assemblies using bolts (A, M8x70) and locking nuts (H, M8)

Hardware :

#A – 3pcs

#H – 3pcs



Assembly Instructions (Funnel and Timer Kit)

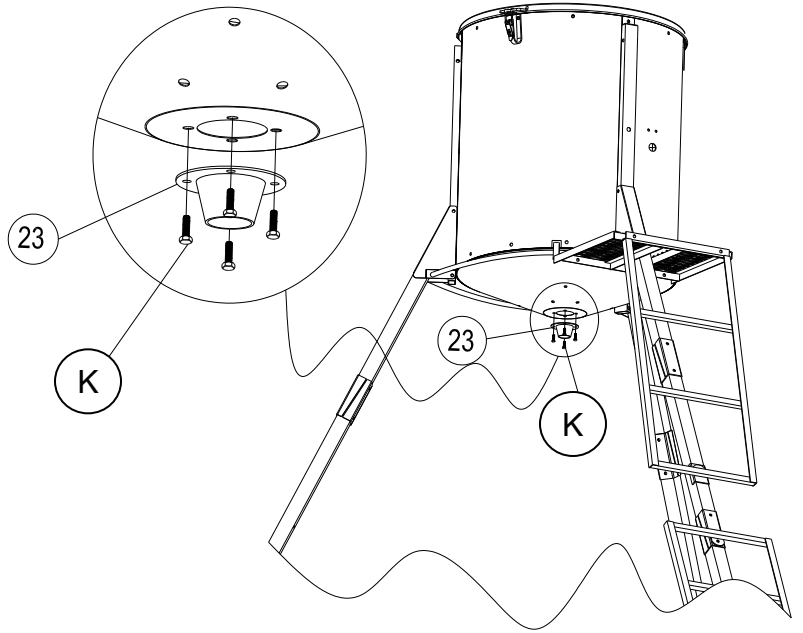
Step 14:

Attach Funnel (#23) to the bottom of the hopper using bolts (K, M6x20).

Hardware :

(packed inside the Timer Kit unit)

#K – 4pc



Step 15:

Attach Mounting bracket (#25) to the Timer Kit (#24) using bolts (K, M6x20), flange nut (N, M6), washer (L, 6mm) and butterfly nuts (M, M6).

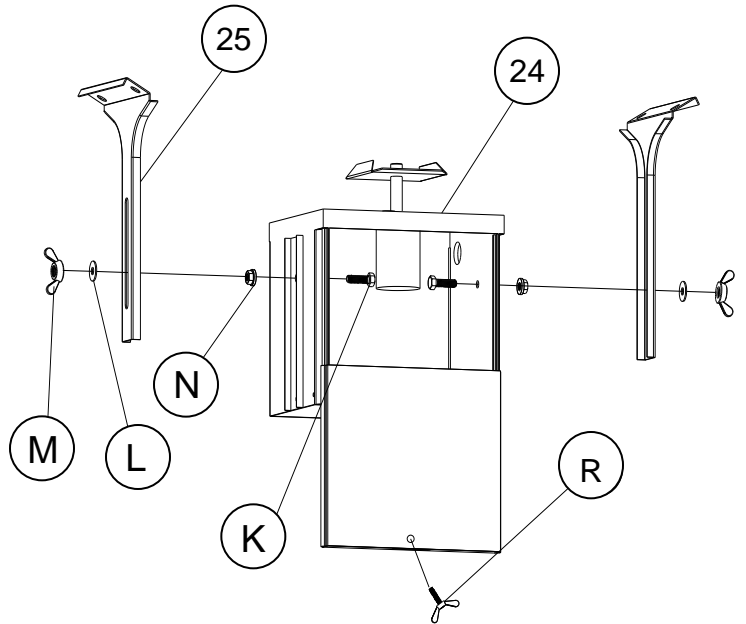
Hardware :

(packed inside the Timer Kit unit)

#K – 2pcs #L – 2pcs

#M – 2pcs #N – 2pcs

#R – 1pc



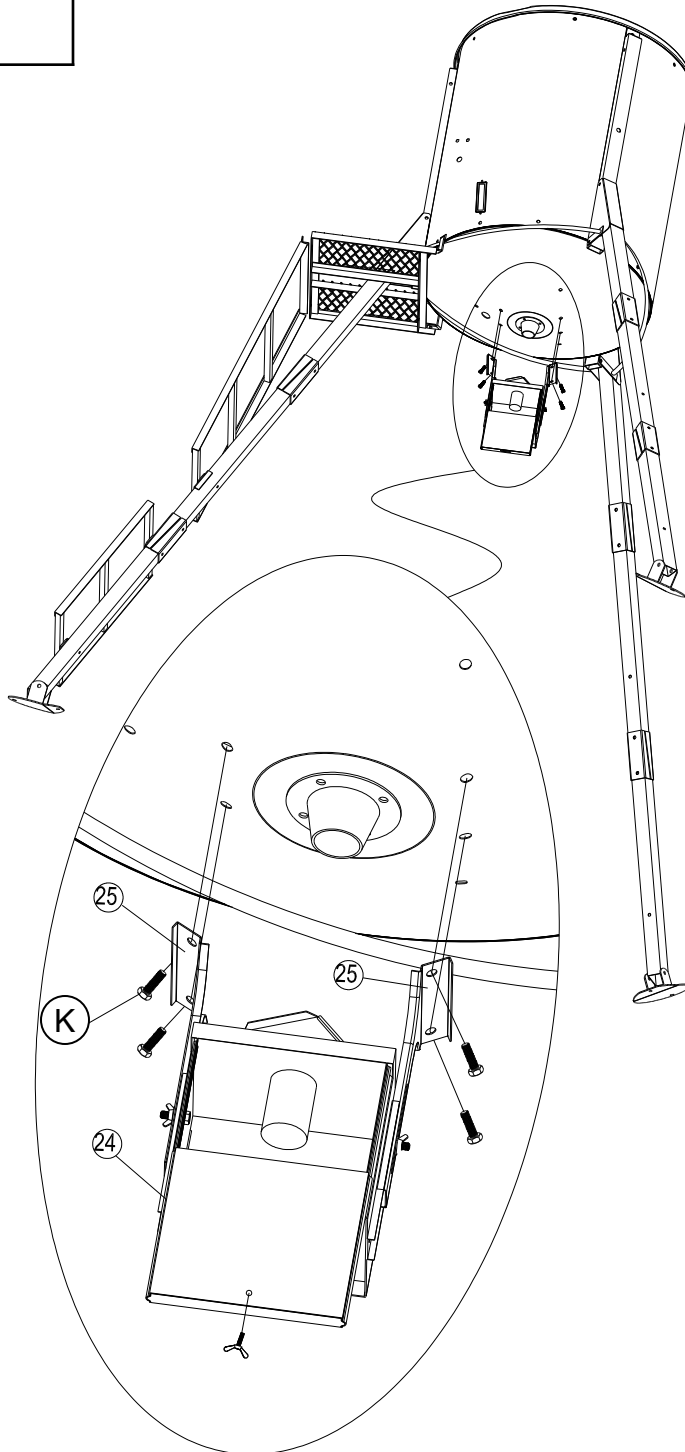
Assembly Instructions (Funnel and Timer Kit)

Step 16:

Attach the Mounting brackets (#25) to the bottom of the hopper using bolts (K, M6x20).

Hardware :
(packed inside the Timer Kit unit)

#K – 4pcs



Assembly Instructions (Funnel and Timer Kit)

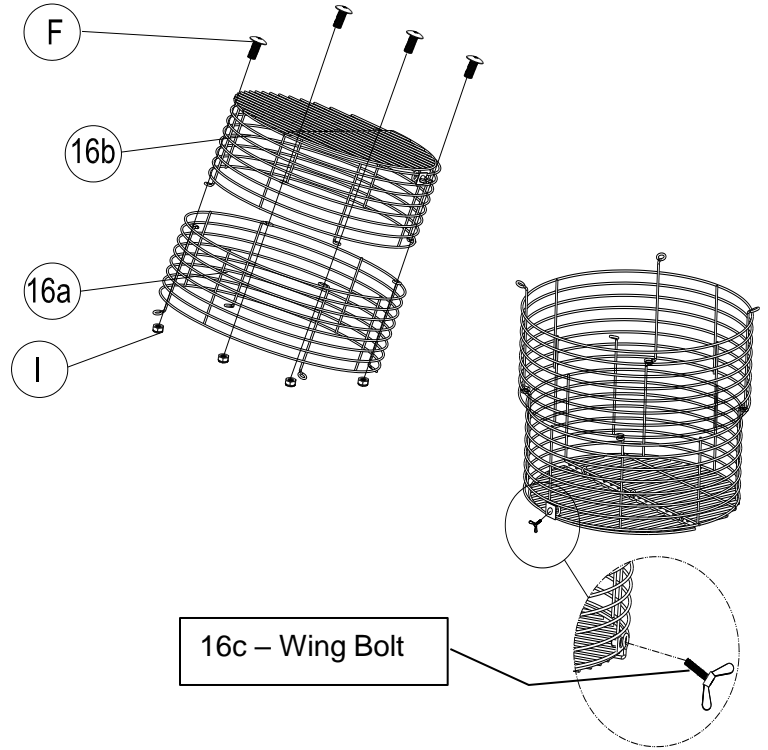
Step 17:

Attach Bottom Varmint Guard (#16b) to the Top Varmint Guard (#16a) using bolts (F, M6x20) and locking nuts (I, M6)

Hardware :

#F – 4pcs #I – 4pcs

16c – Wing Bolt



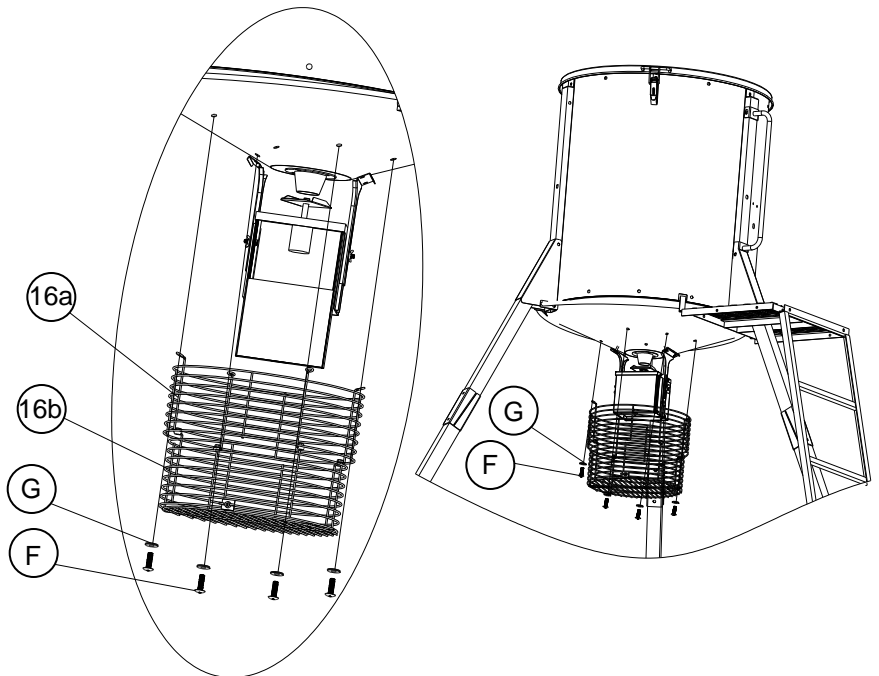
Step 18:

Attach the Varmint Guard (#16) to the bottom of the hopper using bolts (F, M6x20) and flat washers (G, 6mm).

Hardware :

#F – 4pcs

#G – 4pcs



Assembly Instructions

Step 19:

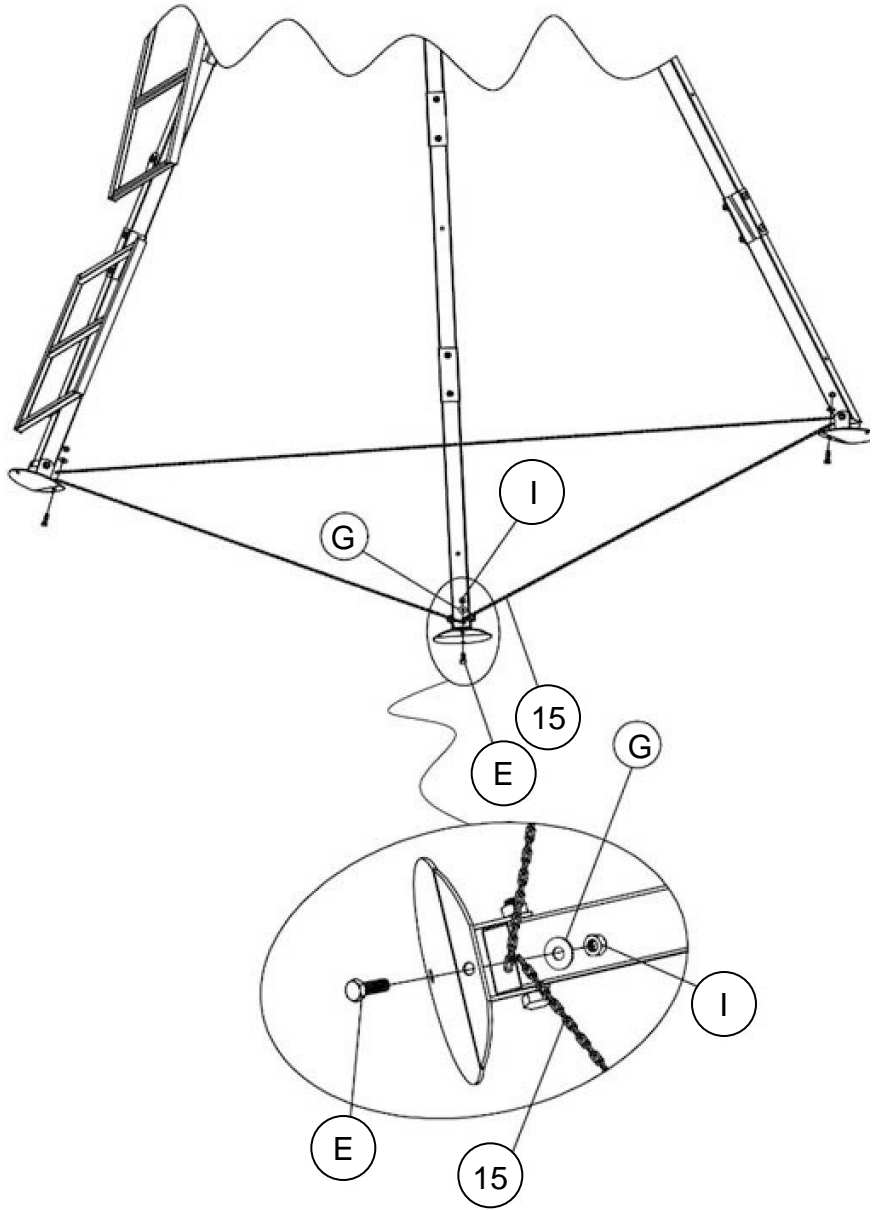
Attach Foot Chain (#15) to the Feet (#14) using bolts (E, M6x30), flat washers (G, 6mm) and locking nuts (I, M6). Be sure the chains are tight after assembly.

Hardware :

#E – 3pcs

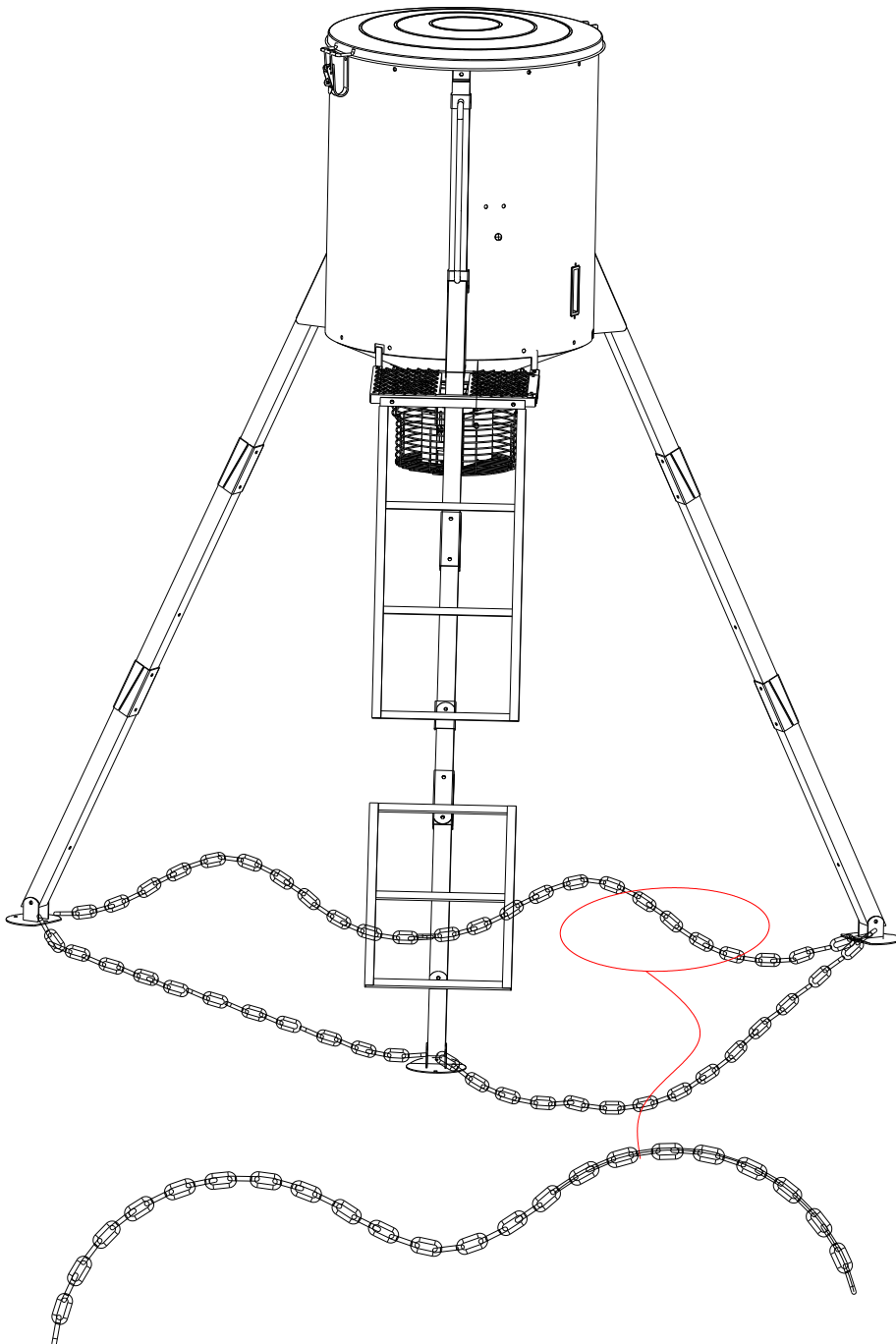
#G – 3pcs

#I – 3pcs



WARNING

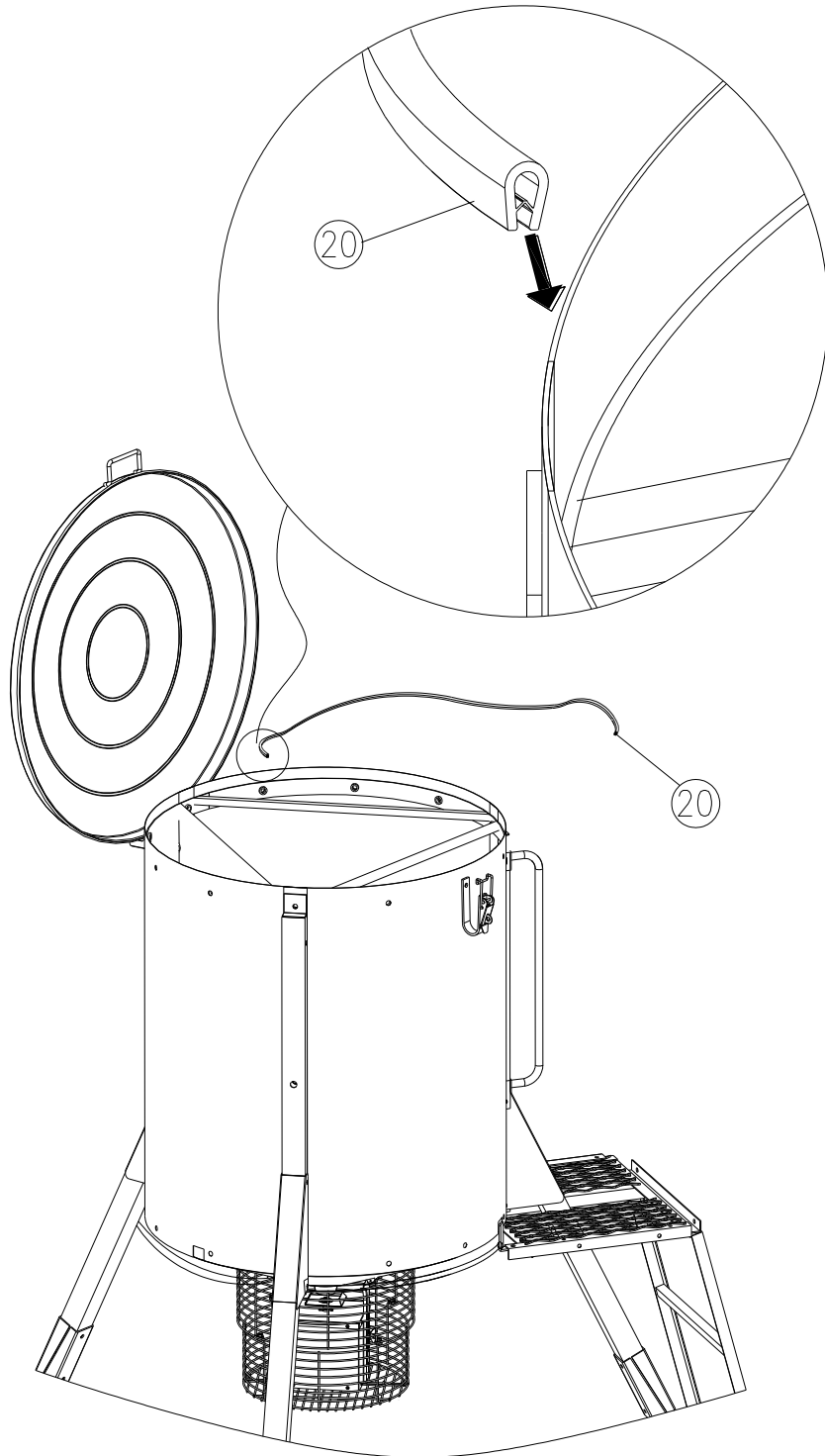
There must be No Slack in the Chain or the legs will fail.
The Chain is the most critical part of this feeder. It is imperative that the Chain must be properly in place before loading or climbing on it.



Assembly Instructions

Step 20:

Attach the Seal Strip (#20) to the Top Round (#1) following the right diagram.



Assembly Instructions

Step 21:

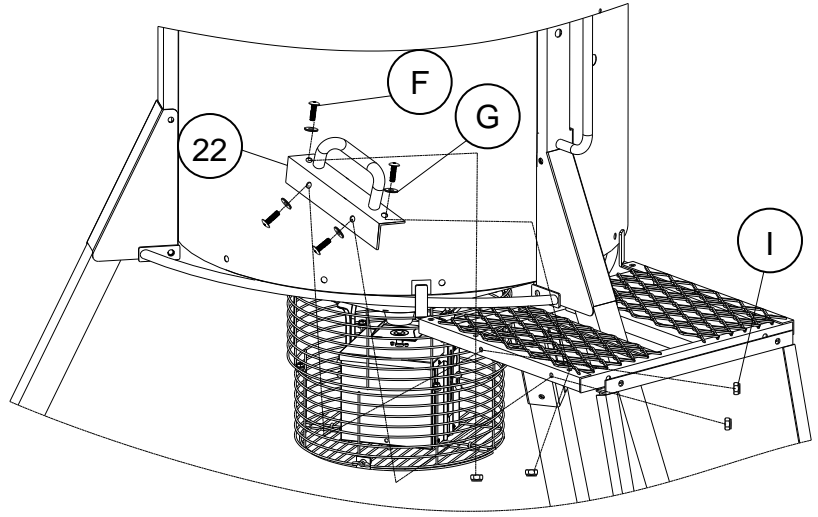
Attach D Shape Platform Handle (#22) to the Stand Platform (#11) using bolt (F, M6x20), Flat Washer (G, dia .6mm) and Locking Nut (I, M6)

Note: D Shape Platform Handle (#22) can be attached to either side of the Stand Platform (#11)

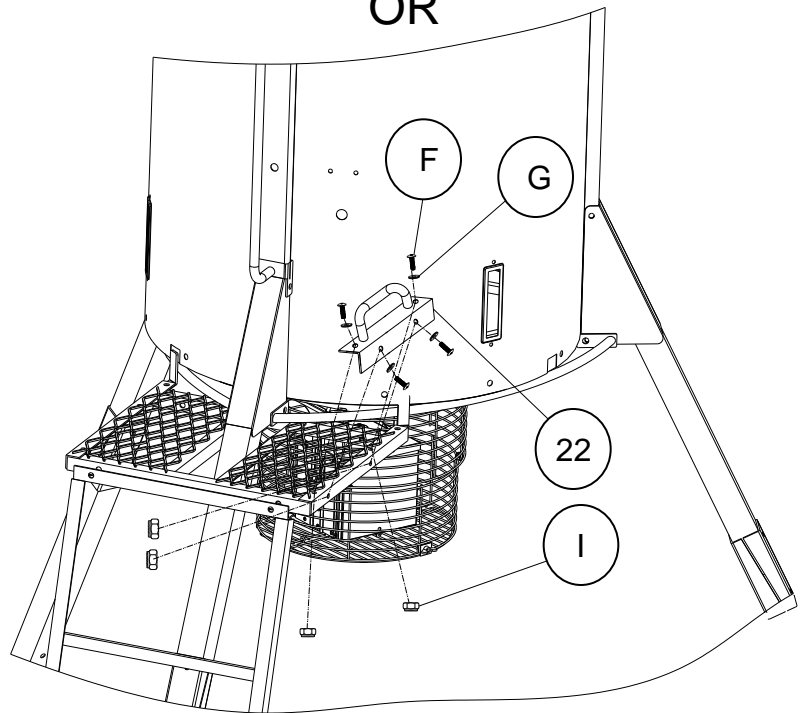
Hardware :

#F – 4pcs #I – 4pcs

#G – 4pcs



OR



Assembly is now completed!!!

HOW TO LOAD YOUR FEEDER

OPEN THE LID AND POUR FEED INTO THE HOPPER. ONE BAG AT A TIME. DO NOT USE A LEAN-TO OR EXTENSION STYLE LADDER TO AID IN FILLING THE HOPPER. THIS COULD CAUSE THE FEEDER TO TIP OVER AND CAUSE INJURY. IF ADDITIONAL HEIGHT IS NEEDED FOR FILLING, USE A SIMPLE A-FAME STEP PLATFORM LADDER. AFTER FILLING, CLOSE AND LOCK THE LID.

TIPS & POINTERS:

(Q) What kind of feed should I use?

(A) Whole kernel corn is recommended. Whole kernel corn mixed with soybeans or pellets is also effective for attracting deer. NOTE: When not mixed with corn, some types of pellets can take on moisture and clog the feeder.



HOW TO INSTALL BATTERY

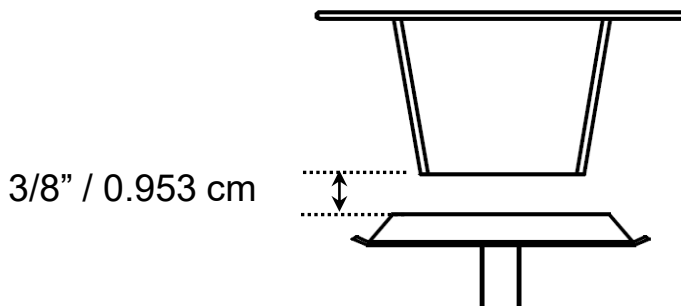


REMOVE TIMER KIT COVER AND INSTALL A 6v RECHARGEABLE BATTERY (NOT INCLUDED) BY ATTACHING RED ALLIGATOR CLIP TO THE POSITIVE TERMINAL (+) AND BLACK ALLIGATOR CLIP TO THE NEGATIVE (-) TERMINAL.

HOW TO OPERATE THE TIMER

READ THE OPERATION MANUAL INCLUDED IN THE TIMER KIT UNIT.

THE PROPER SPACING BETWEEN THE SPIN PLATE AND THE FUNNEL IS 3/8 INCH (0.953 cm). THIS IS VERY IMPORTANT FOR SERVICE- FREE OPERATION.



Care and Maintenance

- INSPECT FEEDER FOR ANY LOOSE PARTS OR HARWARE REGULARLY
- CHECK IF FEEDER IS TAKING WATER ON RAINY DAYS. SEAL GAP WITH SILICONE SEALANT IF NECESSARY
- IF RUST APPEARS ON THE EXTERIOR SURFACE OF FEEDER, CLEAN AND BUFF THE AFFECTED AREA WITH STEEL WOOL OR FINE GRIT EMERY CLOTH. TOUCH-UP WITH A GOOD QUALITY PAINT
- STORE FEEDER INDOORS WHEN NOT IN USE
- CLEAN FEEDER HOPPER REGULARLY TO AVOID CLOGGING AND DAMAGE TO THE CONTROL UNIT



ATTENTION



IF USING THE GAME WINNER TIMER #FSGWSF1004 AS A REPLACEMENT TIMER, IT WILL WORK WITH EITHER 6 OR 12 VOLT MOTORS.

******* GAME WINNER MOTORS ARE 6 VOLT. *******

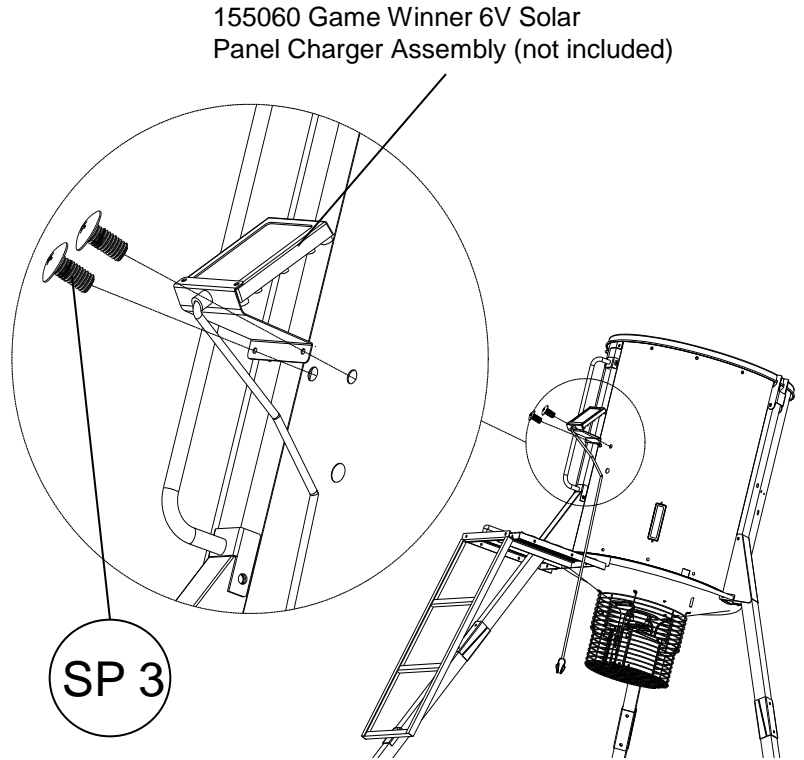
Assembly Instructions of 155060 Game Winner 6V Solar Panel Charger (not included)

Step 1:

Install the Game Winner Solar Panel Assembly to the Body C using bolts (SP3, M6x15).

Note: It is recommended to install Solar Panel before loading or when it is empty.

Hardware:
#SP3 - 2 pcs

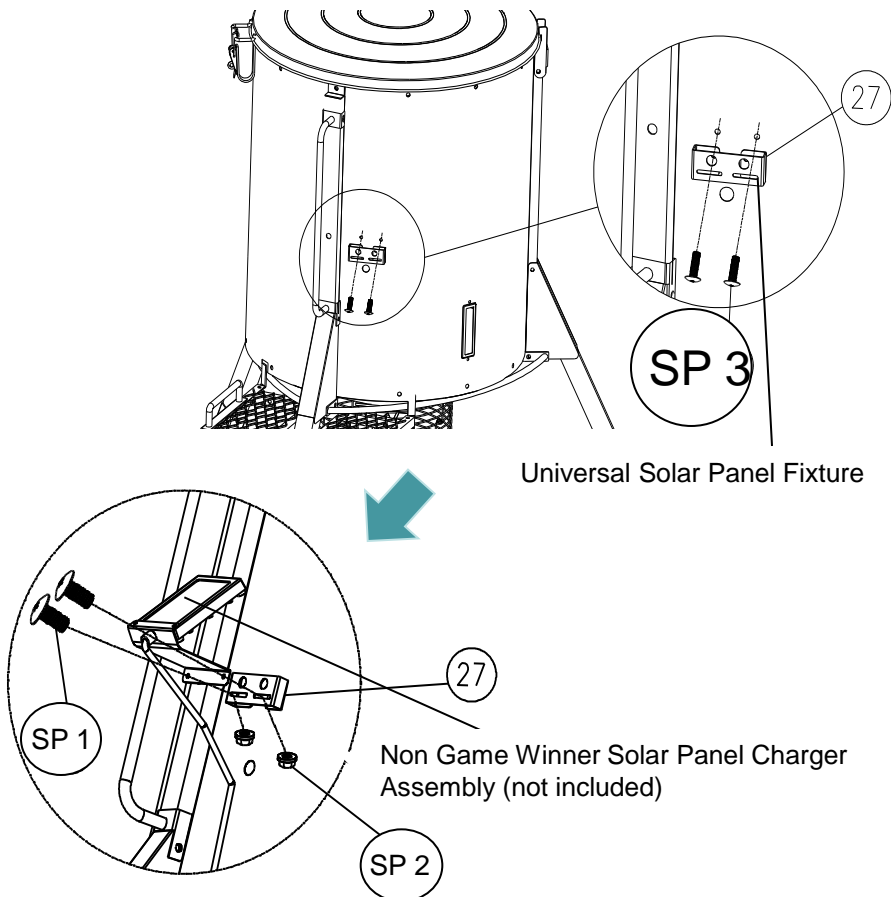


For use of NON Game Winner Solar Panel Charger (not included), follow below instructions

Install the Universal Solar Panel Fixture (#27) on the right side of the Body C using bolts (SP3, M6x15).

Install the Solar Panel Assembly to the Universal Solar Panel Fixture using bolts (SP1, M5x12) and nuts (SP2, M5).

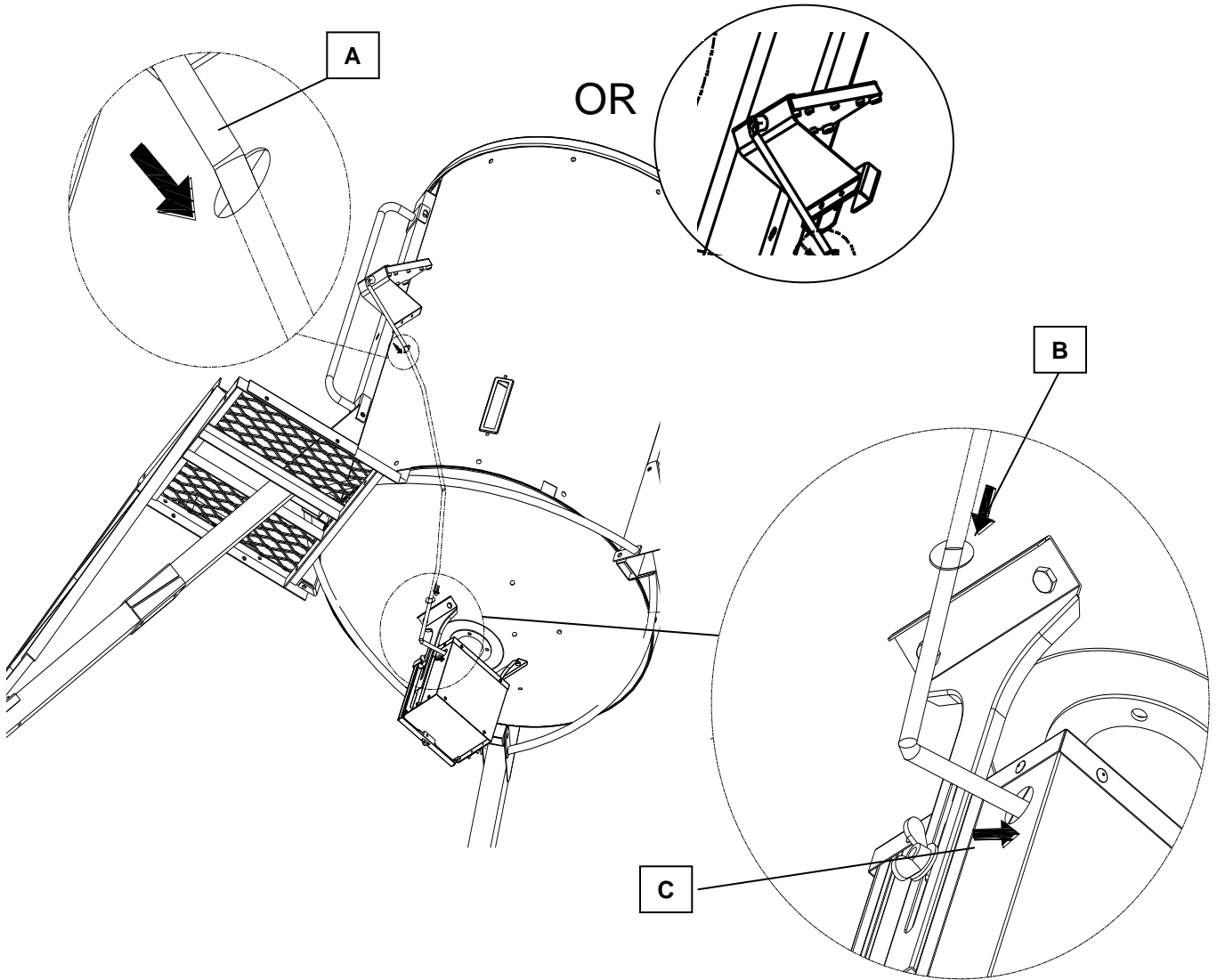
Hardware:
#SP1 - 2 pcs
#SP2 - 2 pcs
#SP3 - 2 pcs



Assembly Instructions of 155060 Game Winner 6V Solar Panel Charger (not included)

Step 2:

With a knife, make an incision to the rubber bushing just larger enough to insert the conduit into the mounting bushing on the Body C (shown at A). Then continue passing the conduit through the mounting bushing at the bottom of the Bottom Bowl (shown at B). Finally, insert the conduit into the mounting bushing on the Timer Kit (shown at C).

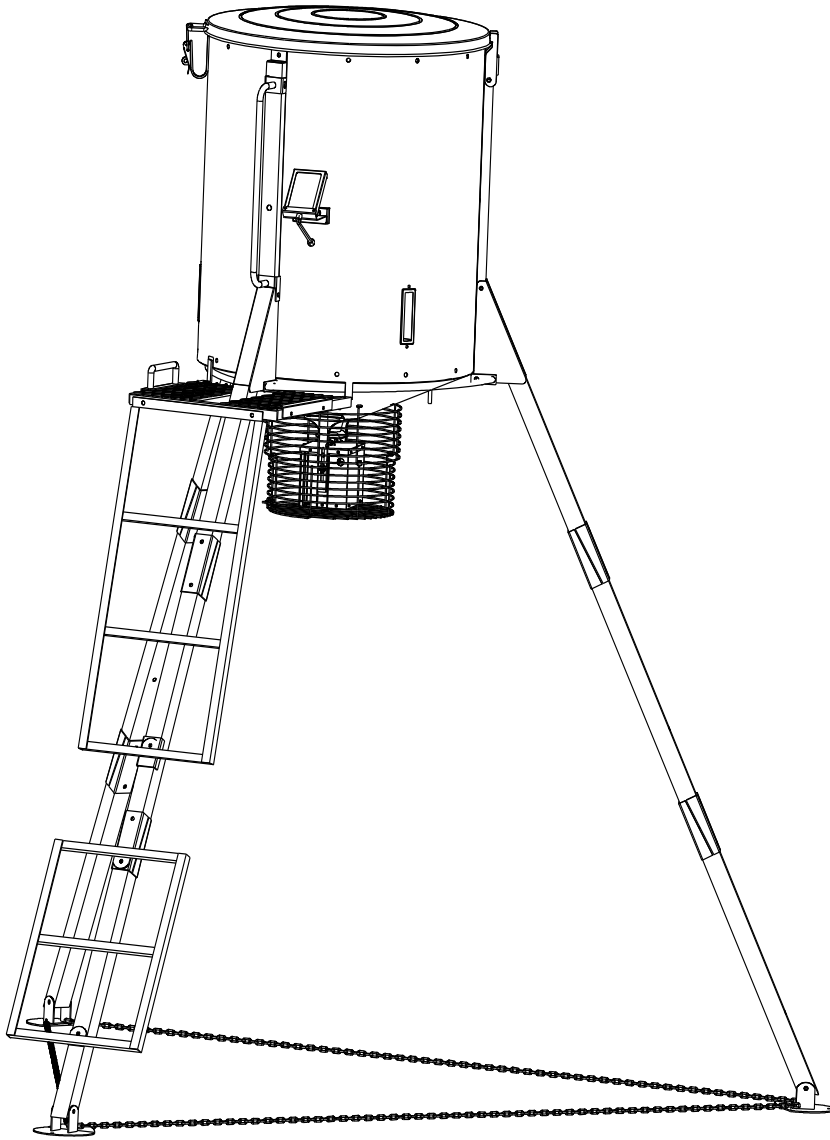


CAUTION



1. Pay attention to polarities when connecting solar panel and rechargeable battery.
2. Do not short circuit either the panel or the battery.

Assembly Instructions of 155060 Game Winner 6V Solar Panel Charger (not included)



Assembly completed

Remark:

1. Optional placement of the solar panel would be in a Southerly direction.
2. Always check the solar panel terminals to insure there is no unnecessary build-up of any corrosive matter which may be detrimental to your battery.
3. Make sure you **ONLY** use the solar panel with rechargeable batteries. This product will not work with, any may cause damage to, spring-top or alkaline type batteries.

Warranty Information

1. Manufacturer warrants this Product to be free from defects in workmanship and materials for a period of 90 days from the date of purchase, PROVIDED claims are submitted, in writing, with proof of purchase.
2. If any part of this item fails because of a manufacturing defect within the Limited Warranty Period, Manufacturer offers to replace such part(s) provide that such parts have not been improperly repaired, altered, or tampered with or subject to misuse, abuse or exposed to corrosive conditions. This Limited Warranty is, however, subject to certain limitations, exclusions, time limits and exceptions (Hereinafter "Conditions") as listed below. Read these Conditions carefully.
3. This Limited Warranty shall be limited to the replacement or repair of any part(s) which Manufacturer determines, after reasonable examination, to have been defective at the time of manufacturing and manufacturer's obligation(s) shall be limited to replacement, if any, of defective part(s) which shall be shipped at Original Purchaser's expense to Original Purchaser's designated shipping address.
4. This Limited Warranty is given to and covers the **ORIGINAL PURCHASER ONLY** and such coverage terminates 90 days from the date of purchase.
5. **DAMAGE LIMITATION WARNING:** IN NO EVENT SHALL MANUFACTURER BE LIABLE FOR ANY INCIDENTAL OR CONSEQUENTIAL DAMAGES, INCLUDING (BUT NOT LIMITED TO) LOSS OF USE OF THE PRODUCT, LOSS OF TIME, INCONVENIENCE, EXPENSES FOR TRAVEL, TRANSPORTATION, LODGING EXPENSES, LOSS OF FOOD, LOSS BY DAMAGE TO PERSONAL PROPERTY OR LOSS OF INCOME, PROFITS OR REVENUE.
6. **MANUFACTURER'S OBLIGATION:** Manufacturer's liability shall be limited to the delivery of a good, merchantable Product and, if necessary, the repair or replacement, at manufacturer's option, of any defective part or unit.
7. **TRANSFER LIMITATIONS:** This Limited Warranty is not assignable or transferable. It covers only the original purchaser.
8. **RESERVED RIGHT TO CHANGE:** Manufacturer reserves the right to make changes or improvements to products it produces in the future without imposing on itself any obligations to install the same improvements in the products it has previously manufactured.
9. This Limited Warranty gives the Original Purchaser specific legal rights but there may be other rights which vary by jurisdiction.
10. **This warranty does not cover the following items:**
 - Chips or scratches on porcelain or painted surfaces
 - Rust or corrosion is not deemed a manufacturing or materials defect
 - Discoloration or loss of paint due to handling during assembly, heat or cleaning products. Paint may require touch up.
 - Stainless steel discoloration or corrosion
 - Consumables such as batteries
 - Damages caused by wild game

Warranty Information

IF CUSTOMER SERVICE IS NECESSARY:

The Original Purchaser is responsible for shipping and handling charges of the returned item(s) and replacement parts, if any.

All parts to be replaced will need to be shipped before replacement items will be sent.

Follow the Customer Service Representative's instructions exactly. If a return is necessary, it must be packed carefully and shipped prepaid.

Should you encounter any problem

or

Obtaining replacement parts

CALL US FIRST.

Do not return product to the store.

WE CAN HELP.

Rankam (China) Manufacturing Co. Ltd.
18/F., New Lee Wah Centre, 88 Tokwawan Road,
Kowloon, Hong Kong

Please contact Rankam Customer Service at
customerservice@rankam.com
or at 1-888-837-1380, Mon to Fri, 8:00 a.m. – 5:00 p.m. Pacific Standard Time.