



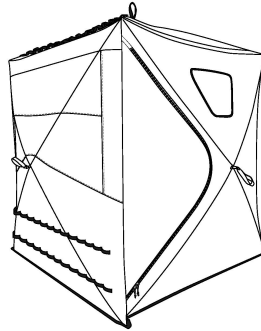
GAME WINNER™

Assembly Instructions

Game Winner

STEALTH VIEW HUB Blind

161734



Please keep this instruction manual for future reference

Customer Service: (888) 922-2336

7:00 am to 12:00 am CST (daily)

Live Chat at: www.academy.com

Email: customerservice@academy.com

-----OR-----

(877) 579-1550, 8:30am to 5:30pm Monday thru Friday, EST

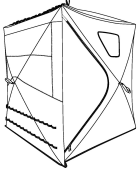



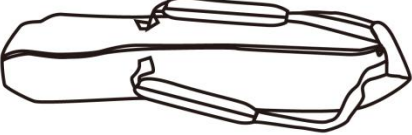
(Made in China)

Table of Contents

- Part lists.....3
- Warnings.....4
- Assembly Instructions.....5-7
- Care and Maintenance.....8
- Warranty information.....9

NOTE: Before beginning assembly of product, make sure all parts are present. Compare parts with package content list and hardware contents. If any part is missing or damaged, do not attempt to assemble the unit. Contact customer service for replacement parts.


Parts List


A	Blind		1
B	Ground stake bag		1
C	Ground stake		8
D	Guy rope		4
E	Carry bag		1

Warnings

IMPORTANT SAFETY AND TIP INFORMATION

TO MAXIMIZE THE ENJOYMENT OF YOUR PRODUCT PLEASE ASSEMBLE AND USE YOUR PRODUCT AS SAFELY AS POSSIBLE.

THE WARNING SYMBOL  IS TO CALL YOUR ATTENTION TO POSSIBLE HAZARDS RELATING TO THE USE AND ASSEMBLY OF YOUR PRODUCT.

THE POINTING SYMBOL  IS TO CALL YOUR ATTENTION TO SUGGESTIONS THAT WILL ASSIST YOU IN THE ASSEMBLY / DISASSEMBLY PROCESS AND ENHANCE YOUR HUNTING EXPERIENCE. WHEN YOU SEE THESE SYMBOLS, PLEASE CLOSELY FOLLOW THE INFORMATION PROVIDED.

WARNING

READ, UNDERSTAND AND FOLLOW ALL ASSEMBLY, INSPECTION, AND USE INSTRUCTIONS PROVIDED BEFORE EACH USE. FAILURE TO FOLLOW WARNINGS AND INSTRUCTIONS COULD RESULT IN SERIOUS INJURY OR DEATH.

KNOW THE LOCATION OF EACH HUNTER IN YOUR PARTY AT ALL TIMES AND BE AWARE OF ANYONE ELSE HUNTING IN THE AREA TO AVOID ACCIDENTS.

USE CAUTION WHEN SETTING UP THIS BLIND. KEEP AWAY FROM BODY AND FACE. KEEP CLEAR OF OTHER PEOPLE WHILE SETTING UP.

THIS PRODUCT IS NOT FIREPROOF. THE FABRIC WILL BURN IF IT COMES INTO CONTACT WITH AN OPEN FLAME OR FUEL SOURCE. NO HEATER OR OPEN FLAME SHOULD BE USED INSIDE OR NEAR THIS BLIND.

NEVER ALLOW CHILDREN OR ADULTS TO USE LIGHTED CANDLES, MATCHES, OR OTHER SOURCES OF FIRE NEAR THIS PRODUCT.

NEVER USE ANY DEVICES THAT PRODUCE FUMES WHILE INSIDE OF THIS BLIND. SUCH DEVICES COULD RESULT IN CARBON MONOXIDE POISONING, INJURY, OR DEATH.

THIS PRODUCT IS FOR HUNTING PURPOSES ONLY! IT IS NOT TO BE USED AS A CAMPING TENT OR FOR ANY OTHER FUNCTION.

THIS BLIND IS DESIGNED FOR PORTABILITY. DO NOT LEAVE BLIND SET UP OUTDOORS WHEN NOT IN USE.

DO NOT USE FIREARMS TO SHOOT THROUGH THE REMOVABLE SHOOT-THROUGH MESH WINDOWS. THE SHOOT-THROUGH WINDOWS ARE INTENDED FOR ARCHERY USE WITH FIXED BLADE BROAD HEADS ONLY!

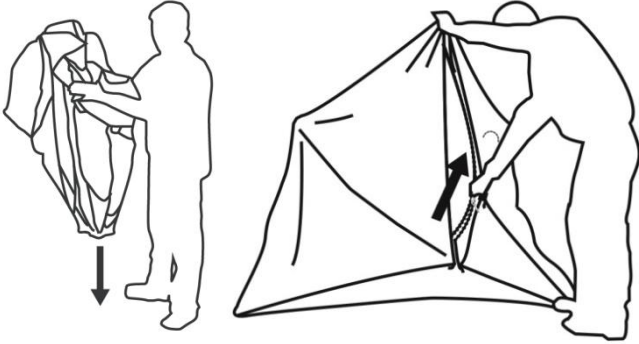
NEVER ALLOW CHILDREN INSIDE THIS PRODUCT WITHOUT ADULT SUPERVISION. THIS COULD CAUSE SERIOUS INJURY OR DEATH.

NEVER ALLOW THE MATERIAL TO COVER YOUR FACE. THIS MATERIAL CAN CAUSE SUFFOCATION AND DEATH IF IT IS PLACED OVER FACE.

Assembly Instructions

Step 1:

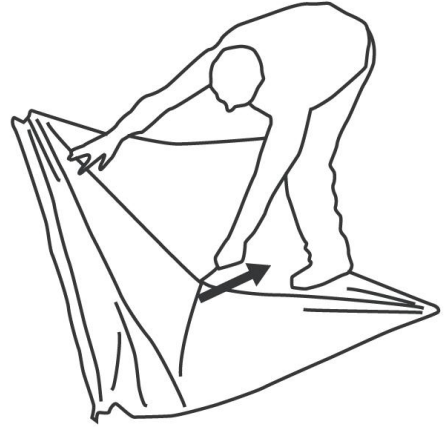
Unfold blind with hubs facing down and unzip the bottom door zipper.



Step 2:

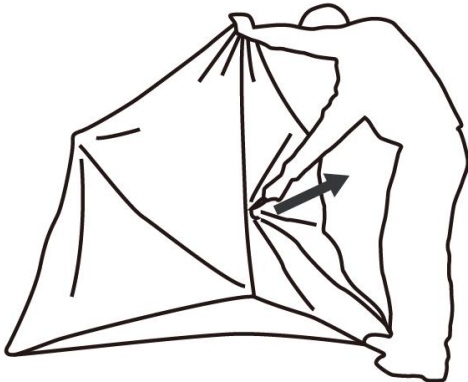
Pull outward to pop up the roof panel first.

 Roof panel with Game Winner logo webbing handle.



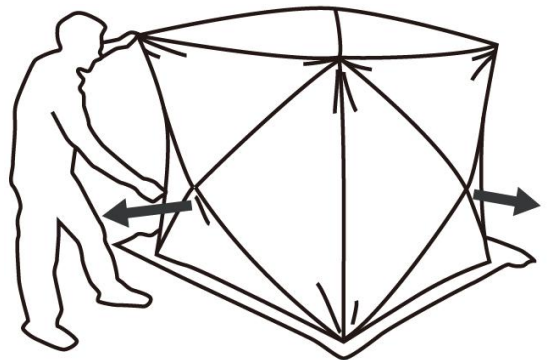
Step 3:

Lift the blind and pull outward to pop out side wall.



Step 4:

Move around blind to open remaining side walls.



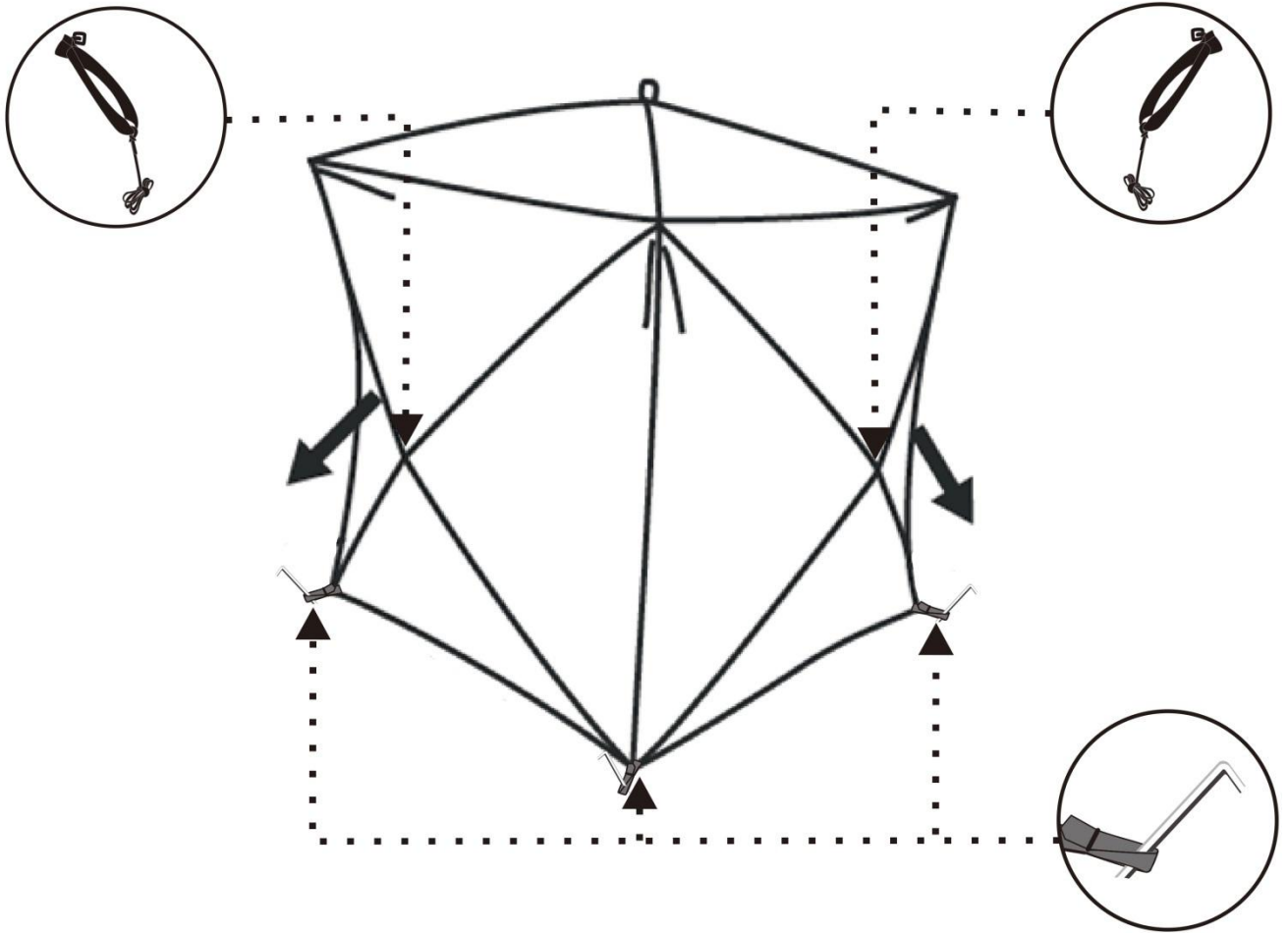
Assembly Instructions

Step 5:

Optional: Secure blind with included ground stakes and guy ropes.

Adjust Windows.

Add native brush around blind to optimize camouflage



IMPORTANT: Be sure to remove ALL brush, dirt, debris, ground stakes and close ALL windows BEFORE beginning take-down.

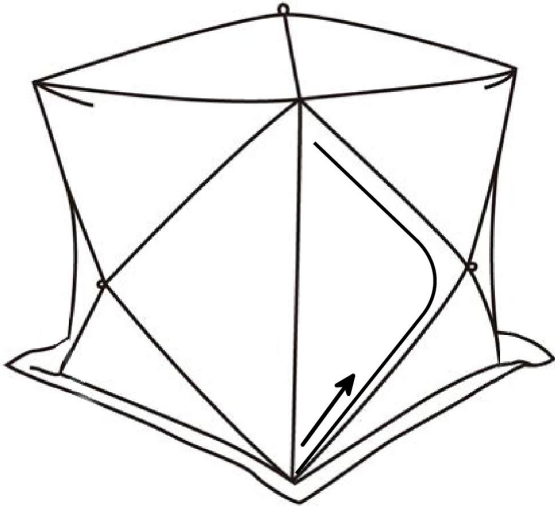
NOTE: Images used are for demonstration purposes only and may not depict actual product.

Disassembly Instructions

Step 1:

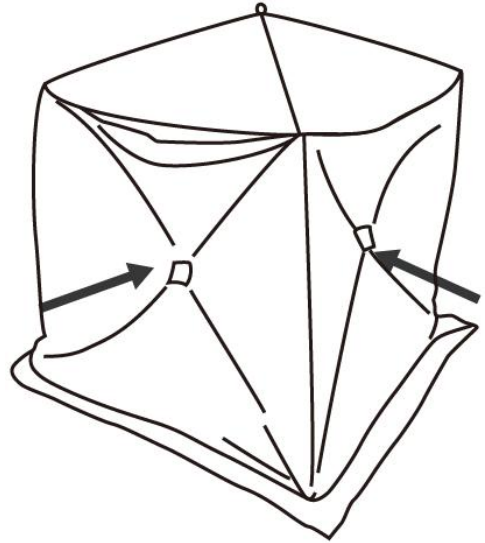
Close all the windows and unzip the bottom door zipper before disassembly.

Remove ground stakes and guy ropes.



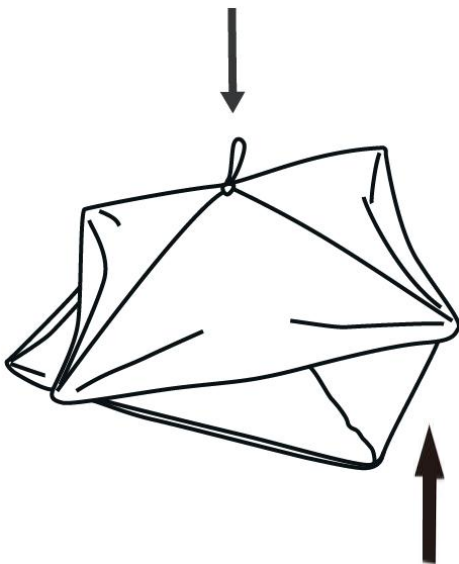
Step 2:

Push in center hub of one side wall until the tension begins to give. Repeat on remaining side walls. Once all side walls have been pushed in the blind will collapse onto ground.



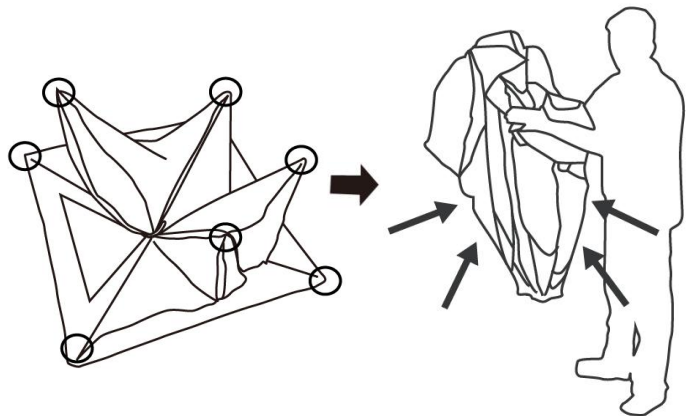
Step 3:

Push in center hub pole of roof and lift bottom corner of blind until tension gives.



Step 4:

Gather all corners of blind and then place blind into carry bag with HUBS AT THE BOTTOM & THE SOFT ENDS AT THE TOP.



Care and Maintenance

- Your product must be stored dry. Storing your product while damp or wet could cause damage to the fabric. Storing a wet blind as briefly as 24 hours in warm weather is likely to cause mildew on the fabric coatings and is not covered by the limited warranty.
- If you must close the blind in the rain, open your product and set it up to allow it to dry as soon as possible. Allow dirt to dry on the fabric after a rainfall before lightly sweeping it off with a brush. For tougher stains, spray the area with water and lightly wipe it off with a few strokes. Do not use washer or dryer. **DO NOT SCRUB THE FABRIC. ALWAYS MAKE SURE THE BLIND IS COMPLETELY DRY BEFORE REPACKING.**
- Do not leave your blind set up for weeks at a time. Exposure to ultraviolet rays from the sun can damage and/or discolor the material.
- Store the stakes in the separate storage bag. Do not pack the stakes inside the blind.

Limited 6 Months Warranty

- If your product does not work properly because of a defect in materials or workmanship, Westfield Outdoor Inc will, for 6 months from the date of purchase, at its option either (a) repair our product with new or refurbished parts, or (b) replace it with a new product. The decision to repair or replace will be made by Westfield Outdoor Inc.
- WESTFIELD OUTDOOR INC RESERVES THE RIGHT TO MAKE SUBSTITUTIONS TO WARRANTY CLAIMS IF PARTS ARE UNAVAILABLE OR OBSOLETE.
- If repair is needed during the limited warranty period, the purchaser will be required to furnish a sales receipt as proof of purchase indicating date of purchase; amount paid, and place of purchase. Product will not be covered under warranty due to damages resulting from misuse, excessive or abusive usage, and/or inclement weather conditions (i.e. wind storms, hurricanes, lightning storms, tornadoes). Acts of nature resulting in damage to blind and its components are not covered under this limited warranty. In such event, the consumer assumes cost of needed parts. Westfield Outdoor Inc is not responsible for normal wear and tear, zipper exhaustion, or the natural breakdown in materials that occurs with extended use.
- UNDER NO CIRCUMSTANCES SHALL WESTFIELD OUTDOOR INC BE LIABLE FOR ANY INCIDENTAL OR CONSEQUENTIAL DAMAGES. Some states do not allow the exclusion or limitation of incidental or consequential damages, so the above limitation may not apply to you.
- Westfield Outdoor Inc EXPRESSLY EXCLUDES ALL WARRANTIES, INCLUDING, BUT NOT LIMITED TO, ANY IMPLIED WARRANTIES OF MERCHANTABILITY AND FITNESS FOR A PARTICULAR PURPOSE. Some states do not allow the exclusion or limitation of implied warranties, so the above exclusion may not apply to you.
- NOTWITHSTANDING ANYTHING TO THE CONTRARY, WESTFIELD OUTDOOR'S AGGREGATE LIABILITY, WHETHER IN CONTRACT OR TORT, SHALL BE LIMITED TO ACTUAL DIRECT MONEY DAMAGES IN AN AMOUNT NOT TO EXCEED THE PRICE PAID BY THE END-USER FOR THIS PRODUCT.
- HOW TO OBTAIN WARRANTY SERVICE: Call the toll free number during the business hours mentioned below. You must have a copy of your purchase receipt from an authorized dealer as proof of purchase at time of call. Under no circumstances is Westfield Outdoor Inc obligated, nor will it warranty, any Westfield Outdoor Inc product that is sold or provided by an unauthorized, secondary market dealer. This shall include, but not be limited to, surplus dealers, public markets, etc.
- HOW TO ORDER REPLACEMENT PARTS: When ordering replacement parts always include the Model Number, Part Number, and Part Description.

Call toll free 1-877-579-1550 Mon-Fri, 8:30 a.m. to 5:30 p.m.
(Eastern Standard Time)