



We strive to ensure that our products are of the highest quality and free of manufacturing defects or missing parts. However, if you have any problems with your new product,

DO NOT RETURN IT TO THE STORE,

please contact us toll free @:

1-888-996-2729

FAX: 1-866-873-3531

gamerom@escaladesports.com

Mailing Address: (Correspondence Only)

Escalade Sports
PO Box 889
Evansville, Indiana 47706-0889

Physical Location:

Escalade Sports
817 Maxwell Ave.
Evansville, Indiana 47711

Please visit our Web site at:

www.escaladesports.com

Please have your model number when inquiring about parts.

When contacting Escalade Sports please provide your model number, date code (if applicable) and part number if requesting a replacement part. These numbers are located on the product, packaging, and this owners manual.

Your Model Number AL2015W/F

Date Code 2 - AL2015W - - HL

Purchase Date _____

PLEASE RETAIN THIS INSTRUCTION MANUAL FOR FUTURE REFERENCE

**IMPORTANT! READ EACH STEP
IN THIS MANUAL BEFORE YOU
BEGIN THE ASSEMBLY.**

IMPORTANT!

THE DRAWINGS IN THIS
MANUAL MAY BE
EXAGGERATED OR MODIFIED
TO SHOW DETAILS.



TWO ADULTS ARE REQUIRED TO ASSEMBLE THIS 55" BROOKDALE FOOSBALL TABLE

Tools Required:

- (2) Allen Wrenches (Included)
- Phillips Screwdriver
- Furniture Polish and Cloth
- Carpenters Level

An electric screwdriver is helpful in assembly. However, please set at low torque and use extreme caution with an electric screwdriver because you could overtighten the hardware and strip the screws.

Assembly Tips

Make sure you understand the following tips before you begin to assemble your foosball table.

1. Start all bolts by hand before tightening.
2. Some drawings or images in this manual may not look exactly like your product. Please read and understand the text before starting each assembly step.



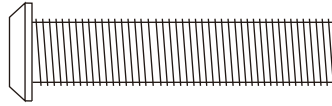
ATTENTION:

**READ AND FOLLOW ALL ASSEMBLY, OPERATION, AND
SAFETY INSTRUCTIONS CAREFULLY. AT LEAST TWO
ADULTS ARE REQUIRED TO ASSEMBLE THIS FOOSBALL TABLE.**

HARDWARE IDENTIFIER (To Scale)



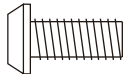
H1 - M4 x 27 mm Phillips
Round Head Bolt
(26 pcs)



H2 - 8 mm x 40 mm
Allen Head Bolt
(12 pcs)



H3 - 6 mm x 45 mm
Allen Head Bolt
(22 pcs)



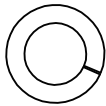
H4 - 5 mm x 12 mm
Phillips Round
Head Bolt
(8 pcs)



H5 - 3.5 mm x 35 mm
Phillips Round
Head Screw
(16 pcs)



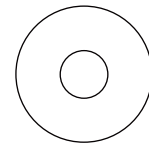
H6 - 3.5 mm x 14 mm
Phillips Round
Head Screw
(26 pcs)



H7 - M8 Lock Washer
(12 pcs)



H8- M6 Lock Washer
(20 pcs)



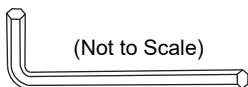
H9 - 6.5 mm x 16 mm
Flat Washer
(20 pcs)



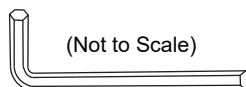
H10 - M6 Nylock Nut
(2 pcs)



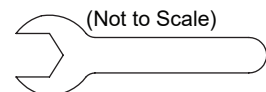
H11 - M4 Nylock Nut
(26 pcs)



T1 - M4 Allen Wrench
(1 pc)



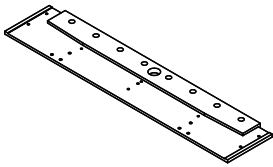
T2 - M5 Allen Wrench
(1 pc)



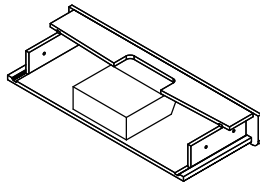
T3 - Hex Wrench
(1 pc)

PARTS IDENTIFIER

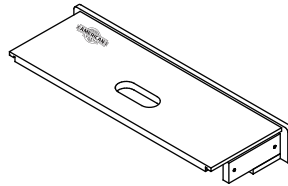
(Not to Scale)



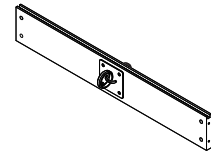
P1 - Side Apron
(2 pcs)



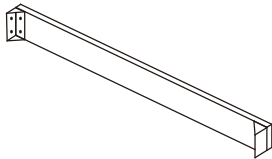
P2 - End Apron
(1 pc)



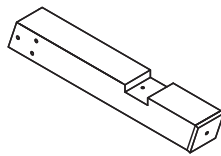
P3 - End Apron with Logo
(1 pc)



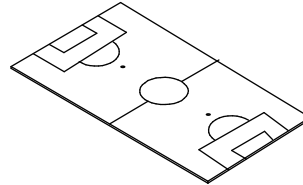
P4 - Center Support Brace
(1 pc)



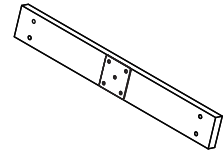
P5 - End Support Brace
with Plastic Brackets Attached
(2 pcs)



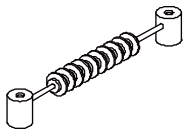
P6 - Universal Leg
(4 pcs)



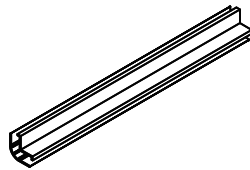
P7 - Playfield
(1 pc)



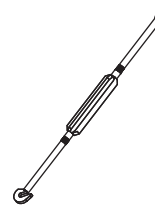
P8 - Leg Apron
(2 pcs)



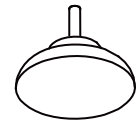
P9 - Manual Scorer
(2 pcs)



P10 - Corner Post
(4 pcs)



P11 - Turnbuckle Support
(2 pcs)



P12 - Leg Leveler
(4 pcs)



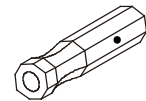
P13 - Square Side
Metal Plate
(4 pcs)



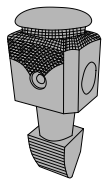
P14 - Rectangle Side
Metal Plate
(2 pcs)



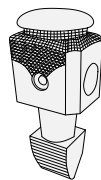
P15 - Player Rod Bumper
(16 pcs)



P16 - Player Rod Handle
(8 pcs)



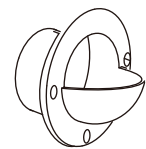
P17 - Black Player
(13 pcs)



P18 - Ivory Player
(13 pcs)



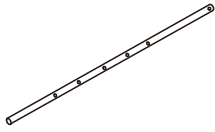
P19 - Player Rod
End Cap
(8 pcs)



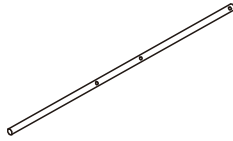
P20 - Ball Entry
Cup
(2 pcs)

PARTS IDENTIFIER

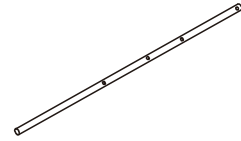
(Not to Scale)



P21 - 5-Hole Player Rod
(2 pcs)



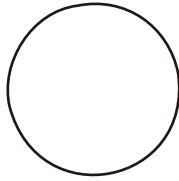
P22 - 2-Hole Player Rod
(2 pcs)



P23 - 3-Hole Player Rod
(4 pcs)



A1 - Soccer Ball
(2 pcs)



A2 - Textured Soccer Ball
(2 pcs)

PARTS REQUIRED

2pcs - **P1** Side Apron
1pc - **P2** End Apron
1pc - **P7** Playfield

4pcs - **H3** Allen Head Bolt
4pcs - **H8** Lock Washer
4pcs - **H9** Flat Washer

Build table on a flat level surface and avoid scratching any parts.

STEP 1

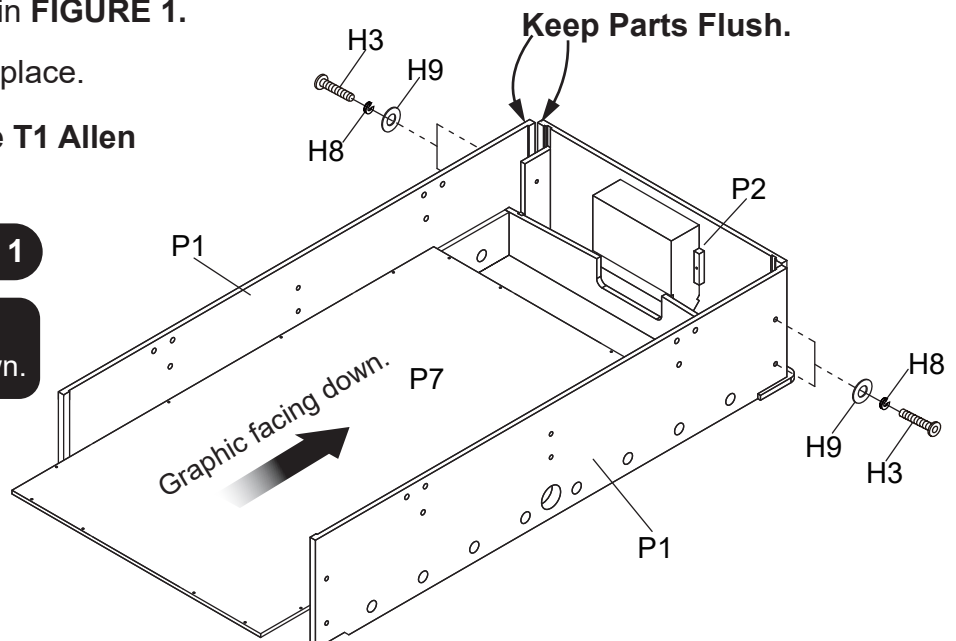
Attach the **P1** Side Aprons onto the **P2** End Apron using the **H3** Allen Head Bolts, **H8** Lock Washers and **H9** Flat Washers as shown in **FIGURE 1**.

Next, carefully slip playfield into place.

Tighten the H3 bolts using the T1 Allen Wrench.

FIGURE 1

NOTE:
This assembly is upside down.



PARTS REQUIRED

1pc - **P3** End Apron with Logo
 4pcs - **P10** Corner Post
 4pcs - **H3** Allen Head Bolt
 16pcs - **H5** Phillips Round Head Screw

8pcs - **H6** Phillips Round Head Screw
 4pcs - **H8** Lock Washer
 8pcs - **H9** Flat Washer

STEP 2

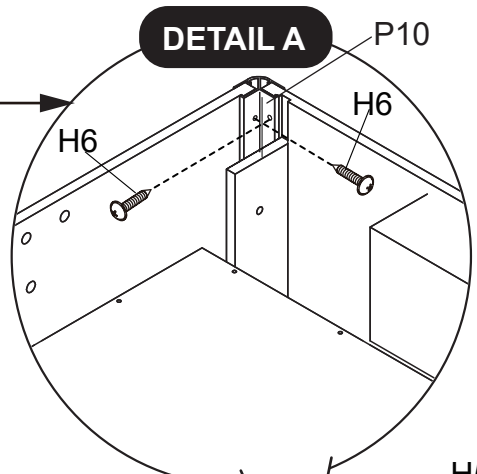
Attach the **P3** End Apron with Logo onto the **P1** Side Aprons using the **H3** Allen Head Bolts, **H8** Lock Washers and **H9** Flat Washers as shown in **FIGURE 2**.

Tighten the H3 bolts using the T1 Allen Wrench.

Attach the **P3** Playfield with the graphic facing down onto this assembly using **H5** Phillips Round Head Screws as shown in **FIGURE 2**.

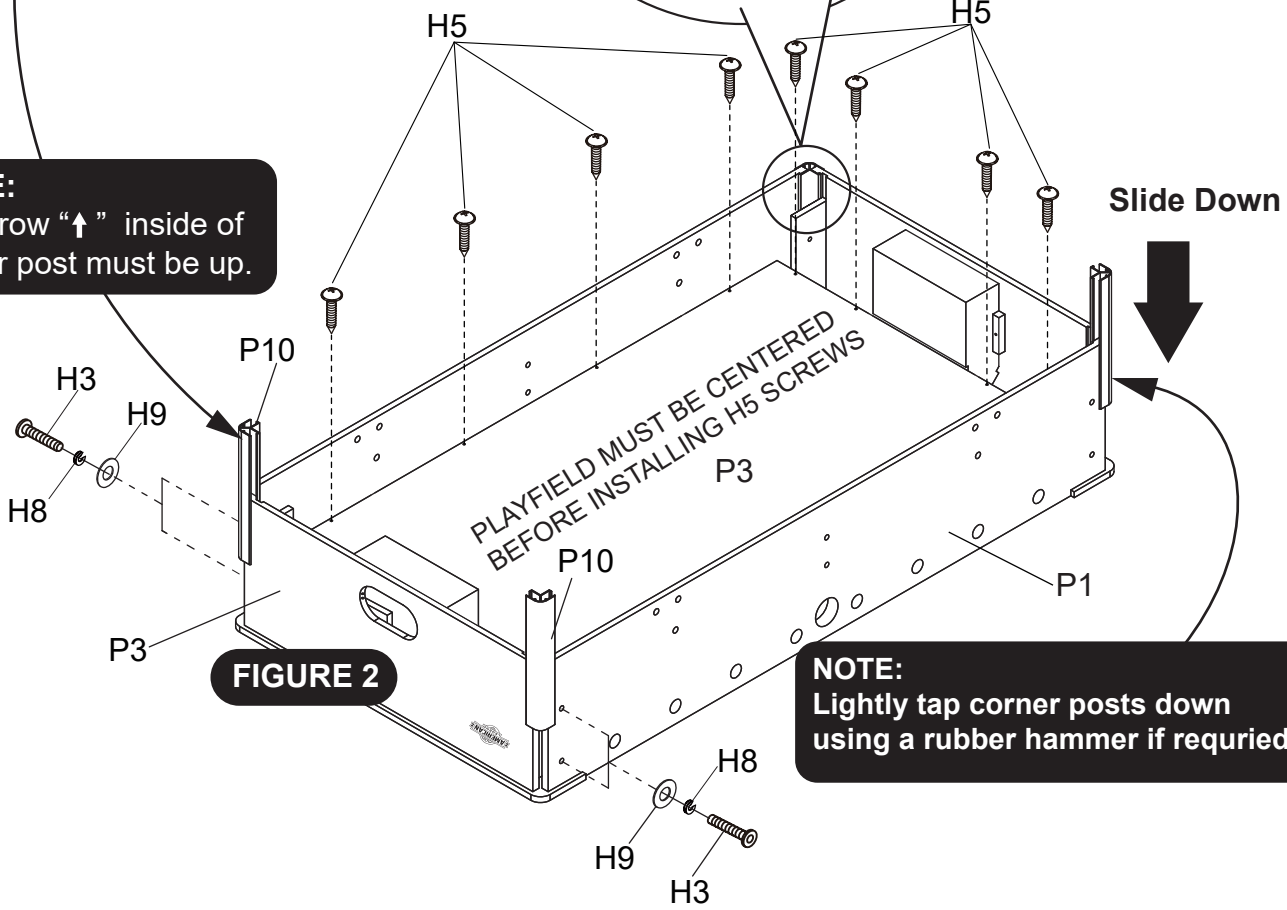
Before tightening **H5** Screws, be sure to center the playfield on the End Aprons. Also- **DO NOT** allow any gaps between the Side Aprons and the edges of the playfield. **DO NOT strip out screws H5.**

Slide the **P10** Corner Posts onto the table apron corners, and attach each with the **H6** Phillips Round Head Screws as shown in **DETAIL A**. **DO NOT strip out screws H6.**



NOTE:
H5 Screws must be screwed **STRAIGHT** down.

NOTE:
 UP arrow "↑" inside of corner post must be up.



NOTE:
 Lightly tap corner posts down using a rubber hammer if required.

PARTS REQUIRED

1pc - **P4** Center Support Brace
 2pcs - **P5** End Support Brace
 2pcs - **P14** Rectangle Side Metal Plate

4pcs - **H3** Allen Head Bolt
 8pcs - **H6** Phillips Round Head Screw
 4pcs - **H8** Lock Washer

STEP 3

Attach the **P4** Center Support Brace onto the center of Main Cabinet and the **P14** Rectangle Side Metal Plates outside of the table aprons using the **H3** Allen Head Bolts and **H8** Lock Washers as shown in **FIGURE 3**. Tighten the **H3** bolts using the **T1** Allen Wrench.

Attach the **P5** End Support Braces onto the table aprons using the **H6** Phillips Round Head Screws and pilot holes as shown in **FIGURE 3**.

DO NOT strip out screws **H6**.

NOTE:

P5 & P4 Support Braces should be flush against the playfield.

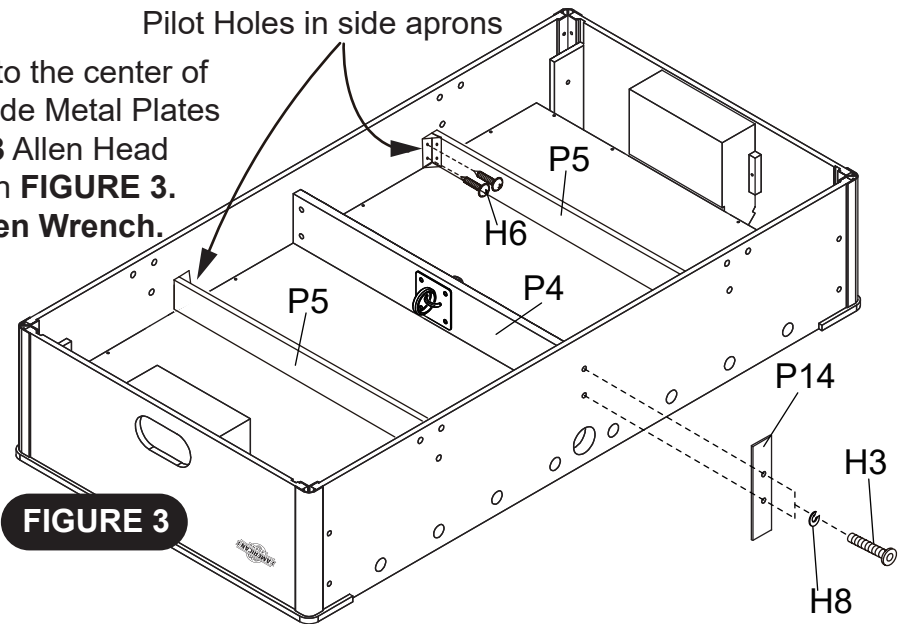


FIGURE 3

PARTS REQUIRED

4pcs - **P6** Universal Leg
 2pcs - **P8** Leg Apron
 4pcs - **P13** Square Metal Plate
 12pcs - **H2** Allen Head Bolt

8pcs - **H3** Allen Head Bolt
 12pcs - **H7** Lock Washer
 8pcs - **H8** Lock Washer
 8pcs - **H9** Flat Washer

STEP 4

Attach the **P6** Legs to the Main Cabinet with **P13** Square Metal Plates outside of the table aprons using **H2** Allen Head Bolts and **H7** Lock Washers as shown in **FIGURE 4**. Tighten the **H2** bolts using the **T2** Allen Wrench.

Attach the **P8** Leg Aprons onto the **P6** Legs using the **H3** Allen Head Bolts, **H8** Lock Washer, **H9** Flat Washer as shown in **FIGURE 4**.

Tighten the **H3** bolts using the **T1** Allen Wrench.

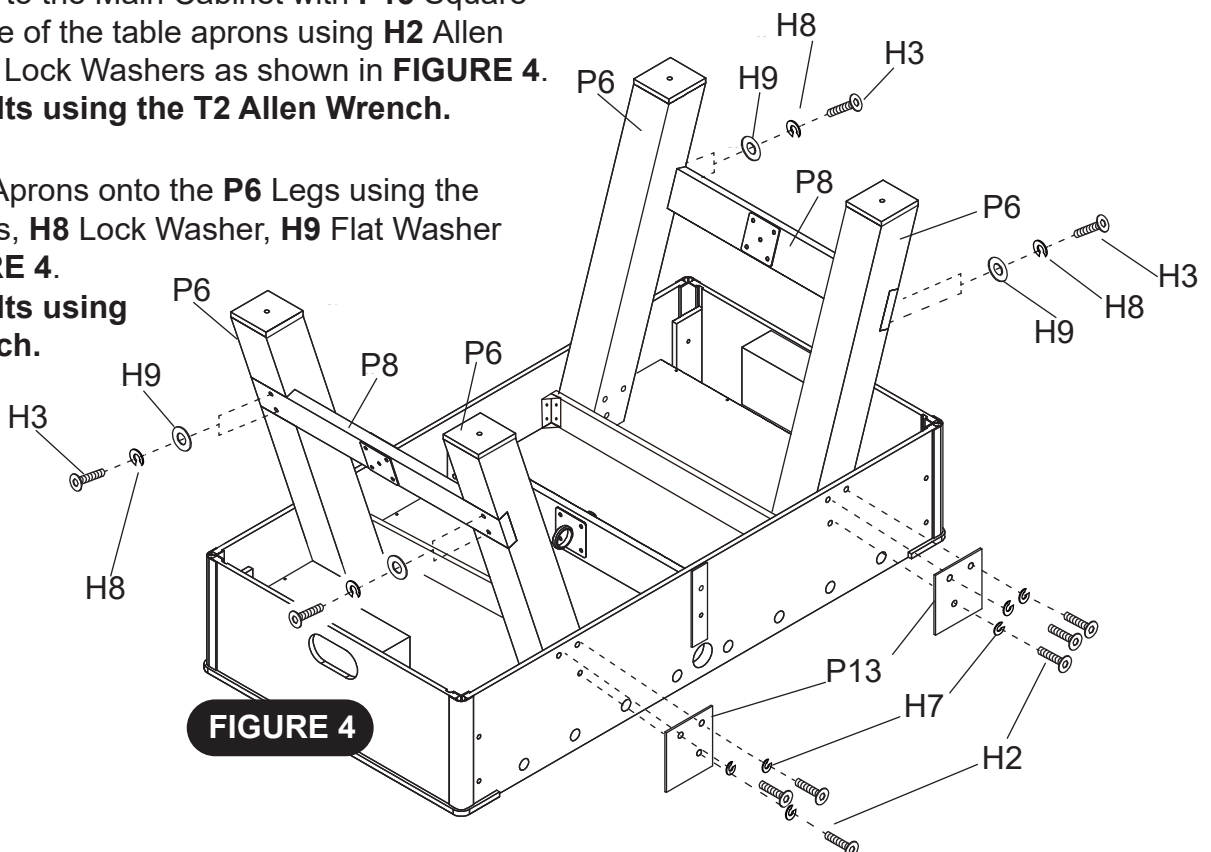


FIGURE 4

PARTS REQUIRED

2pcs - **P11** Turnbuckle Support
4pcs - **P12** Leg Leveler

2pcs - **H3** Allen Head Bolt
2pcs - **H10** Hex Nut

STEP 5

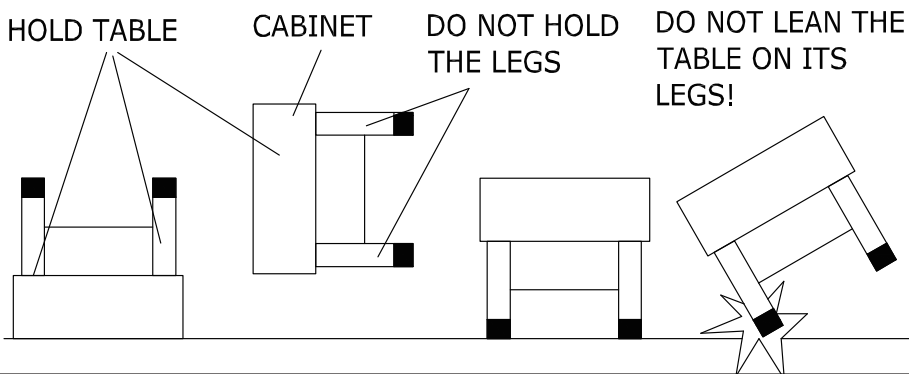
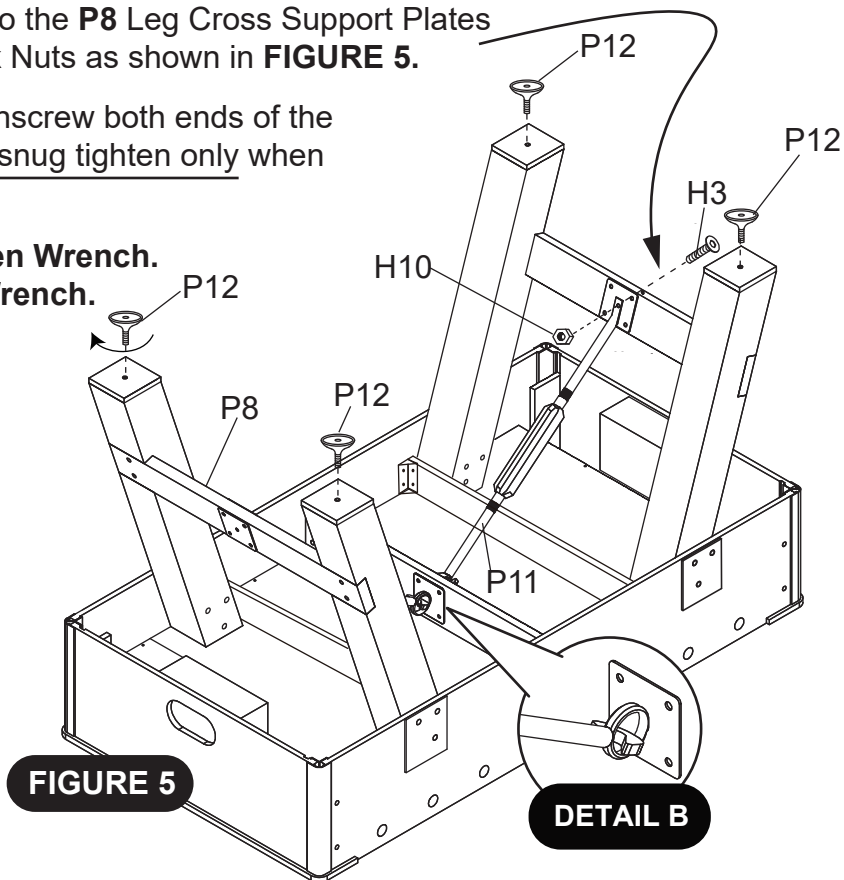
Attach the **P11** Turnbuckle Supports onto the **P8** Leg Cross Support Plates using **H3** Allen Head Bolts and **H10** Hex Nuts as shown in **FIGURE 5**.

NOTE: It may be necessary to evenly unscrew both ends of the turnbuckle to attach on both ends, then snug tighten only when correctly attached on both ends.

Tighten all H3 Bolts using the T1 Allen Wrench.
Tighten H10 Nuts using the T3 Hex Wrench.

Thread **P12** Leg levelers onto legs as shown in **FIGURE 5**.

NOTE:
Do not tighten the turnbuckles,
snug tighten only.



CAUTION: Two strong adults are recommended to flip the table as shown.

1. Carefully pick up the table on the floor.
2. Turn the table over.
3. Place it on all four legs at the same time onto the floor.

PARTS REQUIRED

2pcs - **P9** Manual Scorer
 16pcs - **P15** Player Rod Bumper
 8pcs - **P16** Player Rod Handle
 13pcs - **P17** Black Player
 13pcs - **P18** Ivory Player
 8pcs - **P19** Rod End Cap
 2pcs - **P20** Ball Entry Cup

2pcs - **P21** 5-Hole Rod
 2pcs - **P22** 2-Hole Rod
 4pcs - **P23** 3-Hole Rod
 26pcs - **H1** Phillips Round Head Bolt
 8pcs - **H4** Phillips Round Head Bolt
 10pcs - **H6** Phillips Round Head Screw
 26pcs - **H11** M4 Nylock Nut

STEP 6

Slide **P21** 5-Hole Rod, **P22** 2-Hole Rod, **P23** 3-Hole Rod through Rod Bushing of **P1** Side Apron, **P15** Rod Bumper, **P17** Black Players or **P18** Ivory Players, **P21** Rod Bumper and **P1** Side Apron as shown in **FIGURE 6, Detail C**.

Secure **P17** Black Players and **P18** Ivory Players onto rods using **H1** Round Head Bolts and **H11** Nylock Nuts as shown in **FIGURE 6, DETAIL C**.

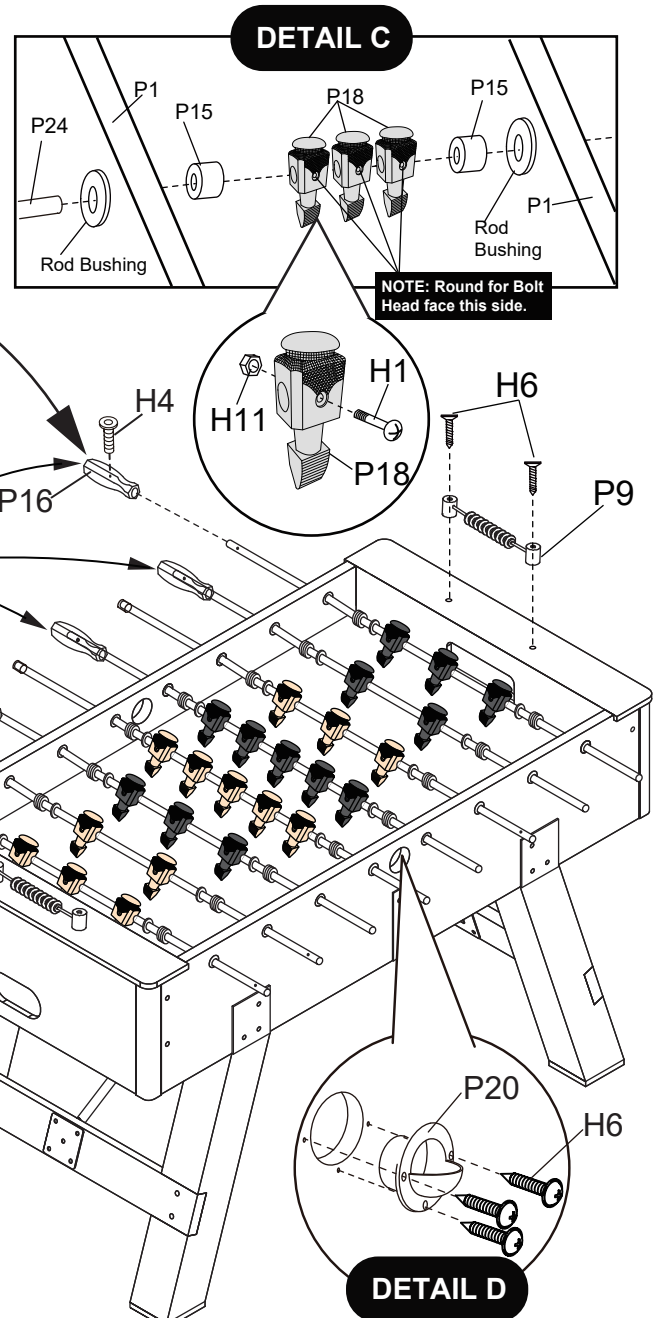
Attach the **P20** Ball Entry Cups onto **P1** Side Aprons using pilot holes with the **H6** Phillips Round Head Screws as shown in **FIGURE 6, DETAIL D**.

Attach the **P9** Manual Scorers to **P2/P3** End Aprons using pilot holes with **H6** Phillips Flat Head Screws as shown in **FIGURE 6**.

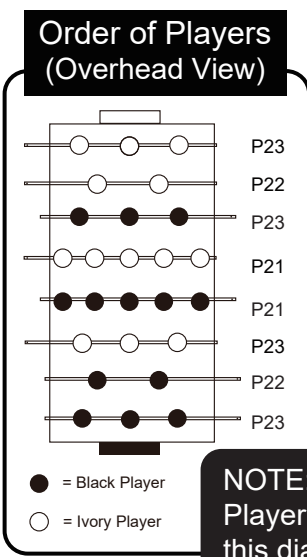
Tighten, but do not strip out screws.

Attach the **P16** Player Rod Handles to Player Rods using **H4** Phillips Round Head Bolts as shown in **FIGURE 6**.

Tighten, but do not strip out screws.



NOTE: Correct placement of Player Rod Handles.



NOTE: Install players onto Player Rods exactly as per this diagram for correct soccer play.

FIGURE 6

DETAIL D

Congratulations! You have now assembled your foosball table. Please note the Care and Use instructions below to insure many years of trouble free use of your foosball table.

CARE AND USE OF YOUR 55" BROOKDALE FOOSBALL TABLE

1. **Apply a few drops of lubricant (not provided) to the rods and the bushings. Rotate rods to make sure you spread lubricant evenly.**
2. Use spray furniture polish to clean all exterior surfaces of your soccer table and the playfield.
3. Use a carpenter's level to properly level the table using the leg levelers.
4. This product is intended for **INDOOR** use only.
5. **DO NOT** sit, climb or lean on the table.
6. **DO NOT** drag the table when moving it. This will damage the legs.
7. **DO NOT** set drinks on the table.

PRODUCT PARTS LIST FOR MODEL # AL2015W/F

Key#	Part #	Description	Qty.	Key#	Part #	Description	Qty.
H1	AL2015HLH1	M4 x 27mm Phillips Round Head Bolt	26	P8	AL2015HLP8	Leg Apron	2
H2	AL2015HLH2	8mm x 40mm Allen Head Bolt	12	P9	AL2015HLP9	Manual Scorer	2
H3	AL2015HLH3	6mm x 45mm Allen Head Bolt	22	P10	AL2015HLP10	Corner Post	4
H4	AL2015HLH4	5mm x 12mm Phillips Round Head Bolt	8	P11	AL2015HLP11	Turnbuckle Support	2
H5	AL2015HLH5	3.5mm x 35mm Phillips Round Head Screw	16	P12	AL2015HLP12	Leg Leveler	4
H6	AL2015HLH6	3.5mm x 14mm Phillips Round Head Screw	26	P13	AL2015HLP13	Square Side Metal Plate	4
H7	AL2015HLH7	M8 Lock Washer	12	P14	AL2015HLP14	Rectangle Side Metal Plate	2
H8	AL2015HLH8	M6 Lock Washer	20	P15	AL2015HLP15	Player Rod Bumper	16
H9	AL2015HLH9	6.5mm x 16mm Flat Washer	16	P16	AL2015HLP16	Player Rod Handle	8
H10	AL2015HLH10	M6 Nylock Nut	2	P17	AL2015HLP17	Black Player	13
H11	AL2015HLH11	M4 Nylock Nut	26	P18	AL2015HLP18	Ivory Player	13
T1	AL2015HLT1	M4 Allen Wrench	1	P19	AL2015HLP19	Player Rod End Cap	8
T2	AL2015HLT2	M5 Allen Wrench	1	P20	AL2015HLP20	Ball Entry Cup	2
T3	AL2015HLT3	Hex Wrench	1	P21	AL2015HLP21	5-Hole Player Rod	2
P1	AL2015HLP1	Side Apron	2	P22	AL2015HLP22	2-Hole Player Rod	2
P2	AL2015HLP2	End Apron	1	P23	AL2015HLP23	3-Hole Player Rod	4
P3	AL2015HLP3	End Apron with Logo	1	A1	AL2015HLA1	Soccer Ball	2
P4	AL2015HLP4	Center Support Brace	1	A2	AL2015HLA2	Texture Soccer Ball	2
P5	AL2015HLP5	End Support Brace with Plastic Brackets Attached	2	K1	AL2015HLK1	Hardware Kit	1
P6	AL2015HLP6	Universal Leg	4	M1	AL2015HLM1	Owner's Manual	1
P7	AL2015HLP7	Playfield	1				

90 DAY LIMITED WARRANTY

This consumer warranty extends to the original consumer purchase of any ESCALADESPORTS Product (hereinafter referred as the "Product").

WARRANTY DURATION: This Product is warranted to the original consumer purchase of a period of 90 days from the original purchase.

WARRANTY COVERAGE: ESCALADE SPORTS warrants to the original Consumer Purchaser that any Product of its manufacture is free from defects in material and workmanship when used for the intended purpose under normal use and conditions. THIS WARRANTY IS VOID IF THE PRODUCT HAS BEEN DAMAGED BY ACCIDENT, UNREASONABLE USE, NEGLIGENCE, IMPROPER SERVICE, FAILURE TO FOLLOW INSTRUCTIONS PROVIDED WITH THE PRODUCT OR OTHER CAUSES NOT ARISING OUT OF DEFECTS IN MATERIAL AND WORKMANSHIP.

WARRANTY PERFORMANCE: During the above 90 day warranty period, ESCALADESPORTS shall repair or replace with a comparable model, and Product, or component thereof, which may prove defective under normal use and proper care, and which our examination shall disclose to our satisfaction to be thus defective, please contact our Warranty Dept.

1-888-996-2729 / Warranty Dept.

Or Write us at:

Escalade® Sports, Inc. - P.O. Box 889, Evansville, IN 47706

Attn: Warranty Dept.

Or E-mail us at:

gamerom@escaladesports.com

Other than shipping requirements no charge will be made for such repair or replacement of in-warranty Products. ESCALADE SPORTS strongly recommends that the Product is insured for value prior to mailing.

WARRANTY DISCLAIMERS: ANY IMPLIED WARRANTIES ARISING OUT OF THIS SALE, INCLUDING BUT NOT LIMITED TO THE IMPLIED WARRANTIES OF MERCHANTABILITY AND FITNESS FOR A PARTICULAR PURPOSE, ARE LIMITED IN DURATION TO THE ABOVE 90 DAY PERIOD. ESCALADE SPORTS SHALL NOT BE LIABLE FOR LOSS OF USE OF THE PRODUCT OR OTHER CONSEQUENTIAL OR INCIDENTAL COSTS, EXPENSES OR DAMAGES INCURRED BY THE CONSUMER OF ANY OTHER USE.

Some states do not allow the exclusion or limitation of implied warranties or consequential or incidental damages, so the above limitations or exclusions may not apply to you.

LEGAL REMEDIES: This warranty gives you specific legal rights and you may also have other rights which may vary from state to state.

Congratulations!

We hope you will enjoy many hours of competition and fun from your new Foosball Table!

Please Carefully read all safety instructions, all assembly directions, and all care and maintenance suggestions before proceeding.

- 1) The foosball table is heavy. Two or more people are required for assembly, flipping the table right side up during assembly, and placing the table into it's final location.
- 2) This foosball table shall only be used for its intended purpose.
- 3) This foosball table is designed and intended for indoor use only in a climate controlled environment. Damage to the table can occur if it is exposed to water, dampness, high humidity, freezing temperatures, etc.
- 4) Damaged or worn parts may be dangerous for players as well as the integrity of the foosball table. Replace damaged and or worn parts immediately and do not use the product until these issues have been resolved. Please call the Customer Service number on the front page of the owner assembly manual for parts questions and for any assistance needed for this product.
- 5) Unauthorized repairs or altering the tables design or functions may be dangerous and will void the warranty.
- 6) Periodically, check all screws, bolts, etc. to insure the foosball table is in good working condition and nothing has worked loose over time.
- 7) Please keep the soccer balls, player rod lubricant and any other small parts out of the reach of children and pets.
- 8) This product is not a toy. Adult supervision is recommended when being used by children.
- 9) Always use care when pushing or pulling the rods so people or objects do not get injured or damaged.