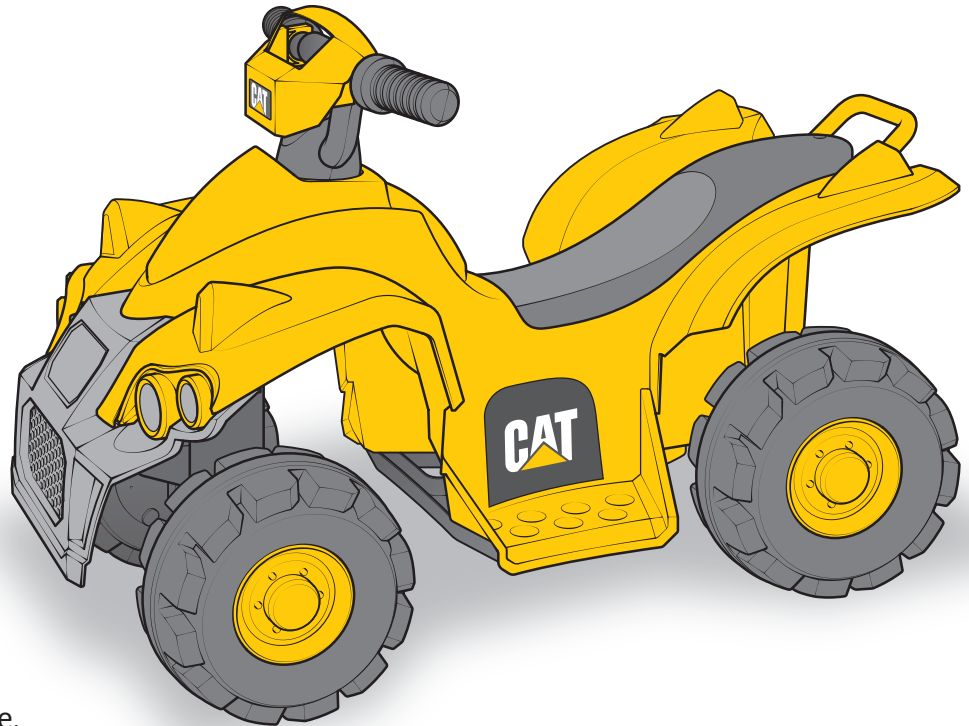




# 6V CAT Quad

OWNER'S MANUAL | KT1153TG



Keep instructions for future reference.

# 1 Safety

The owner's manual contains assembly, use and maintenance instructions. The vehicle must be assembled by an adult who has read and understands the instructions in this manual. Keep the packaging away from children and dispose of all packaging before use. **Note:** For best performance use on flat, hard surfaces.

The following safety hazards may result in serious injury or death to the user of the vehicle:

- This product contains small parts that are for adult assembly only. Keep small children away when assembling. Remove and dispose of all protective material and poly bags before assembly. Be sure to remove all packaging materials and parts from underneath the vehicle body.
- Battery posts, terminals and related accessories contain lead and lead compounds (acids) chemicals known to the state of California to cause cancer, reproductive harm, and are toxic and corrosive. Never open the battery.
- Body parts such as hands, legs, hair and clothing can get caught in moving parts. Never place a body part near a moving part or wear loose clothing while using the vehicle. Always wear shoes when using the vehicle.

- Using the vehicle near streets, motor vehicles, drop-offs such as steps, water (swimming pools) or other bodies of water, sloped surfaces, hills, wet areas, flammable vapors, in alleys, at night or in the dark could result in an unexpected accident. Always use the vehicle in a safe, secure environment with continuous adult supervision.
- Using the vehicle in unsafe conditions such as snow, rain, loose dirt, mud, sand or fine gravel may result in unexpected action such as tip over and skidding, and damage to the electrical system and battery.
- Using the vehicle in an unsafe manner. Examples include but are not limited to:
  - a. Pulling the vehicle with another vehicle or similar device
  - b. Allowing more than one rider
  - c. Pushing the user from the back
  - d. Traveling at an unsafe speed

Always use common sense and safe practices when using the vehicle.

This product contains or emits chemicals known to the state of California to cause cancer or birth defects or other reproductive harm.

## BATTERY WARNINGS

### WARNING!

The following safety hazards may result in serious injury or death to the user of the vehicle:



- Use of a battery or charger other than the supplied Kid Trax Toys 6V rechargeable battery and charger may cause a fire or explosion. Only use the supplied Kid Trax Toys rechargeable battery and charger with the vehicle.



- Using the Kid Trax Toys 6V rechargeable battery and charger for any other product may result in overheating, fire or explosion. Never use the KidTrax Toys 6V rechargeable battery and charger with another product.

- Explosive gases are created during charging. Charge the battery in a well ventilated area. Do not charge the battery near heat or flammable materials.

- Contact between the positive and negative terminals may result in fire or explosion. Avoid direct contact between the terminals. Picking up the battery by the wires or charger can cause damage to the battery and may result in a fire. Always pick up the battery by it's case or handles.



- Liquids on the battery may cause fire or electric shock. Always keep all liquids away from the battery and keep the battery dry.



- Contact or exposure to battery leakage (lead acid) may cause serious injury. If contact or exposure occurs immediately call your physician. If the chemical is on the skin or in the eyes, flush with cool water for 15 minutes. If the chemical was swallowed, immediately give the person water or milk. Do not give water or milk if the patient is vomiting or has a decreased level of alertness. Do not induce vomiting.



- Battery posts, terminals and related accessories contain lead and lead compounds (acid), chemicals known to the State of California to cause cancer, reproductive harm and are toxic and corrosive. Never open the battery.
- Tampering or modifying the electric circuit system may cause a shock, fire or explosion and permanently damage the system. Exposed wiring, circuitry in the charger may cause electric shock. Always keep the charger housing closed.

## USER REQUIREMENTS AND WARNINGS

<b>Age Range</b>	18 months - 3 years
<b>Weight Range</b>	No more than 45 lbs (20 kgs)

Before using the vehicle the child should understand the vehicle controls and safety issues. They must also demonstrate the capability to handle the vehicle and operate its controls. It is the responsibility of the adult to educate the child and supervise the vehicles use. Read the following safety warnings to any child using the vehicle before riding.

### **WARNING!**

- Never leave child unattended. Always supervise the child.
- Always sit in the seat when using the vehicle.
- Keep your hands, hair and clothes away from moving parts.
- Always wear shoes when using the vehicle.
- Only one rider is allowed in the vehicle at a time.
- Children under 18 months of age cannot use the vehicle.
- Only drive on level ground.
- Do not go near swimming pools or other bodies of water, drop-offs or up and down steep inclines.
- Do not drive the vehicle into loose dirt, mud, sand or fine gravel.
- Do not drive the vehicle on streets or near cars.

## CARE WARNINGS

### **WARNING!**

- Park the vehicle indoors or cover it with a tarp to protect it from wet weather.
- Do not leave the vehicle in the sun for long periods of time or fading may occur. Store in shade or cover with tarp.
- Do not wash the vehicle with a hose.
- Do not wash the vehicle with soap and water.

## RE-CHARGE INTERVAL AND TIME

### Important!

- Damage to the battery may occur if it is allowed to drain completely. Do not allow the battery to drain completely.
- Check the battery and charger (supply cord, connector) for wear and damage before charging. Do not charge the battery if damage has occurred. Only replace with a Kid Trax Toys 6V rechargeable battery and charger.

On average you will need to charge the battery between 10 and 12 hours. Do not charge the battery for more than 24 hours. Only an adult who has read and understands the safety warnings should handle, charge and recharge the battery. Failure to charge the battery as directed could cause permanent damage to the battery and void the warranty.

## FCC information

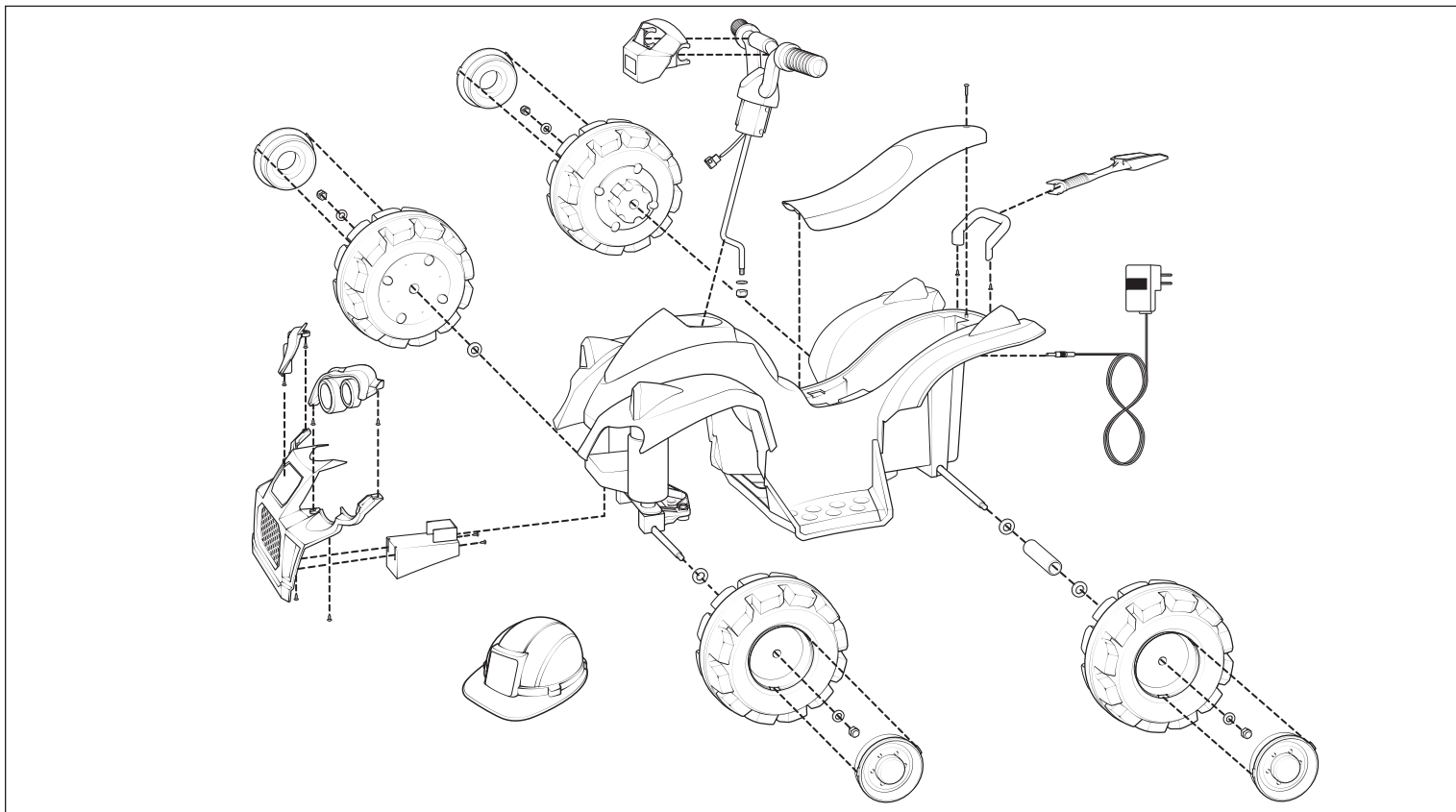
### **WARNING!**

Any changes or modifications to this unit not expressly approved by the party responsible for compliance could void the user's authority to operate the equipment.

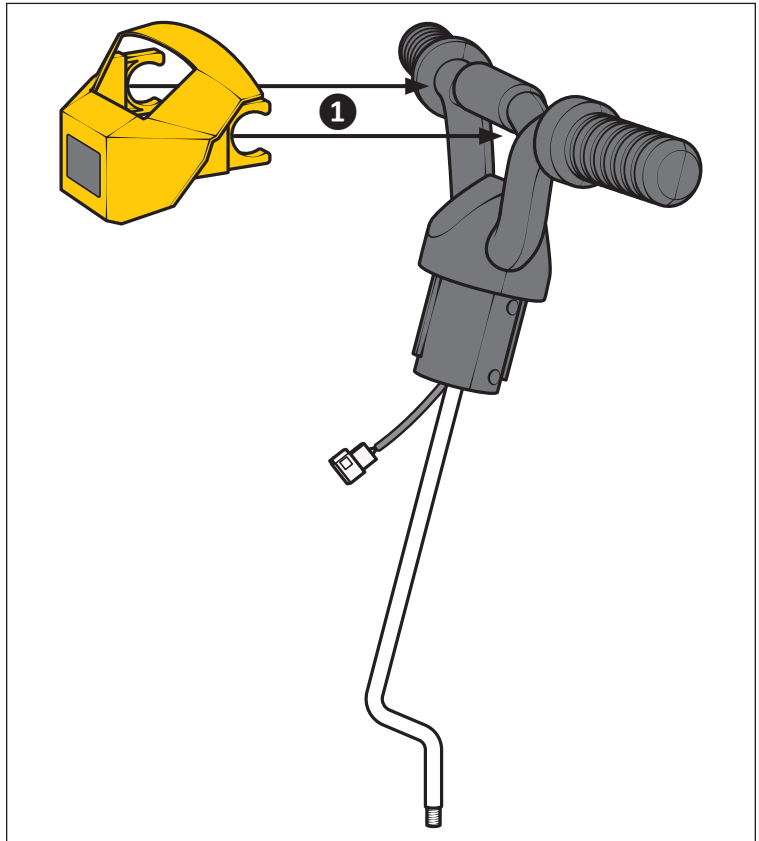
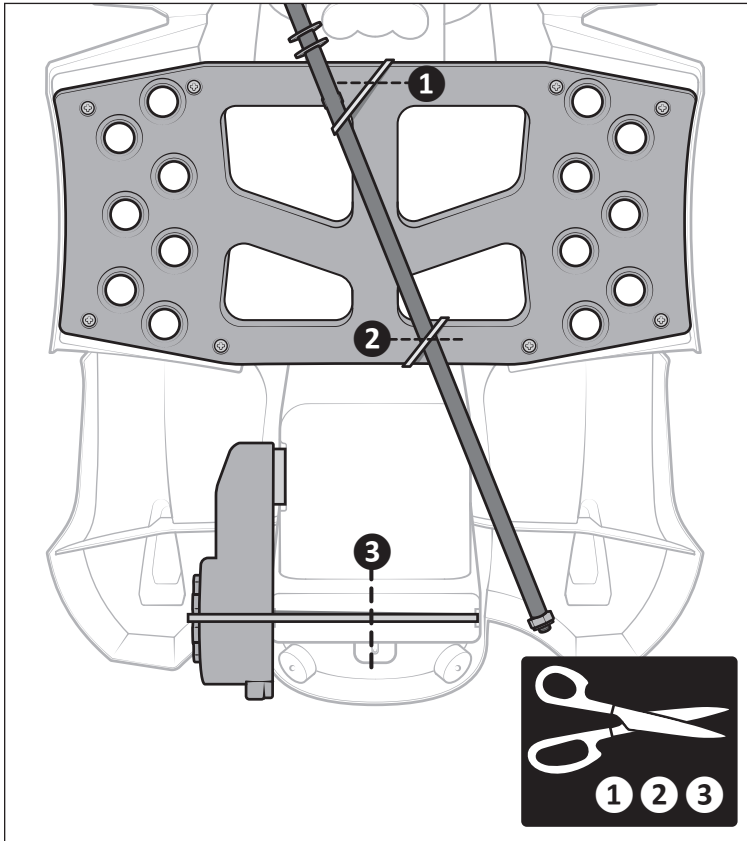
**NOTE:** This equipment has been tested and found to comply with the limits for a Class B digital device, pursuant to part 15 of the FCC Rules. These limits are designed to provide reasonable protection against harmful interference in a residential installation. This equipment generates, uses and can radiate radio frequency energy and, if not installed and used in accordance with the instructions, may cause harmful interference to radio communications. However, there is no guarantee that interference will not occur in a particular installation. If this equipment does cause harmful interference to radio or television reception, which can be determined by turning the equipment off and on, the user is encouraged to try to correct the interference by one or more of the following measures:

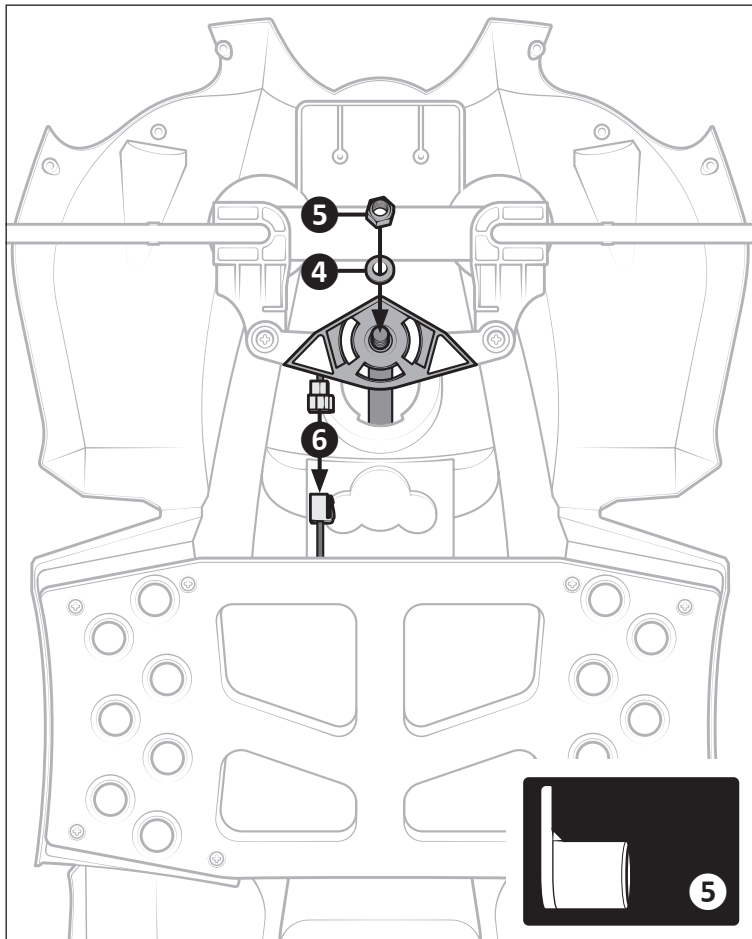
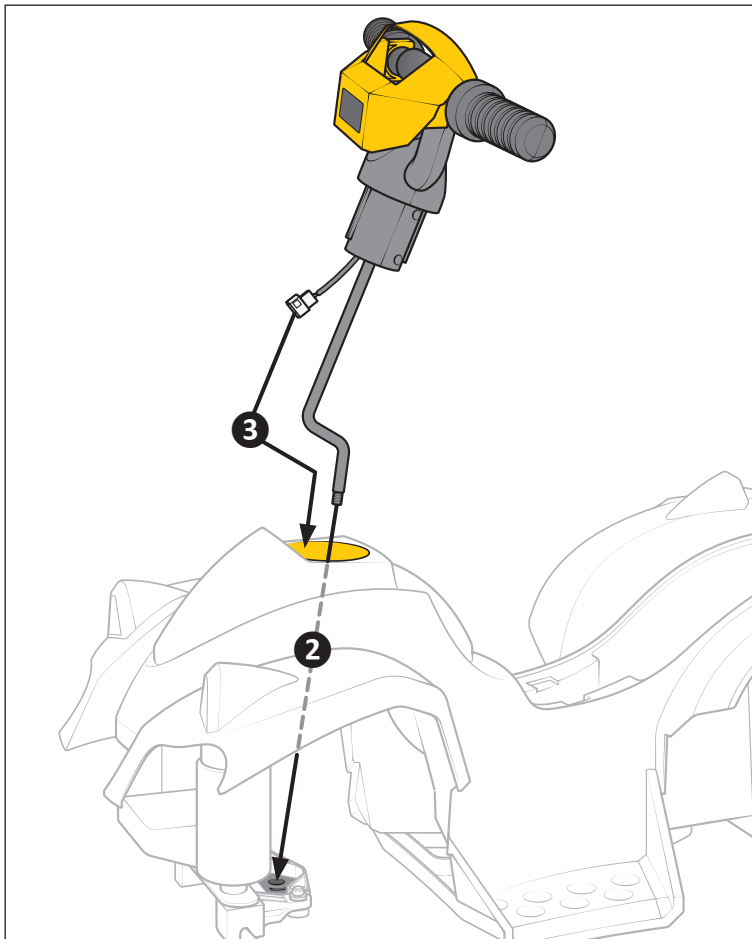
- Reorient or relocate the receiving antenna.
- Increase the separation between the equipment and receiver.
- Connect the equipment into an outlet on a circuit different from that to which the receiver is connected.
- Consult the dealer or an experienced radio/TV technician for help.

## 2 Parts

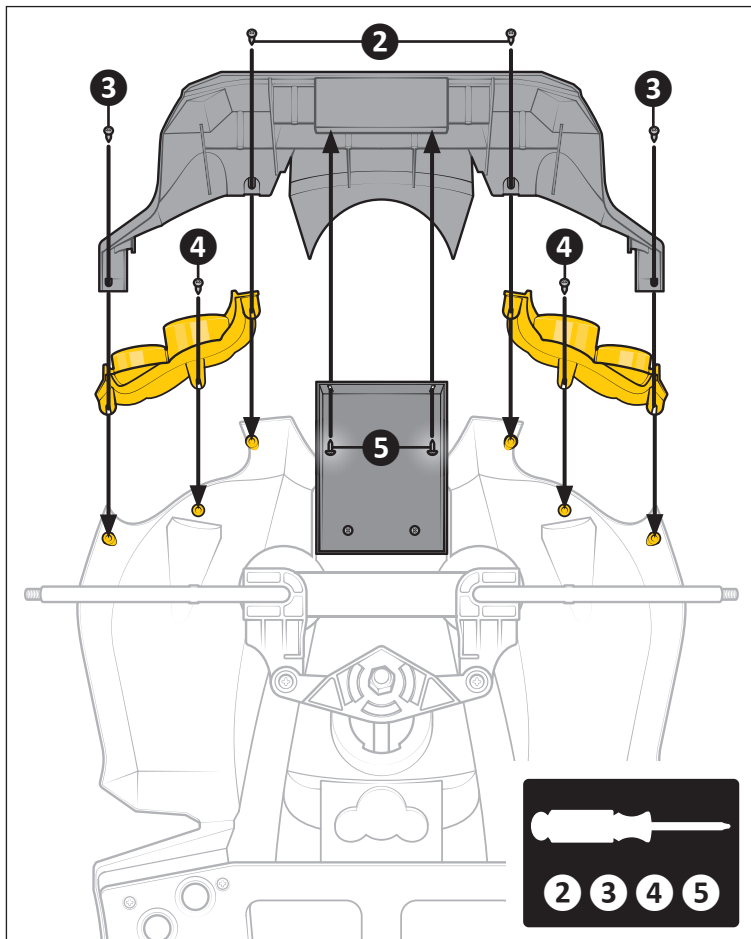
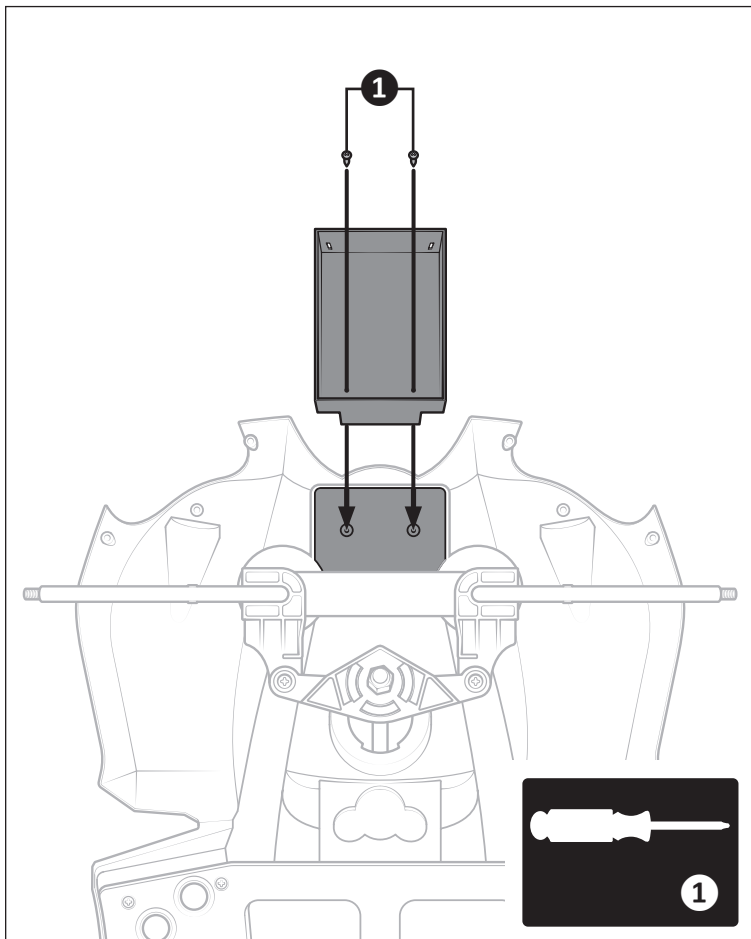


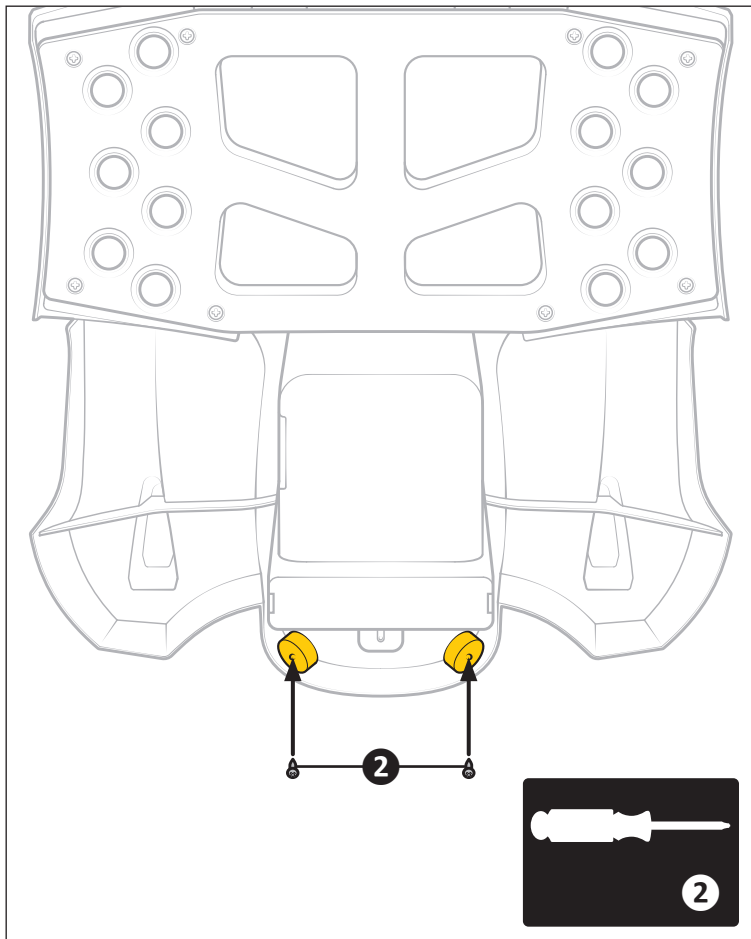
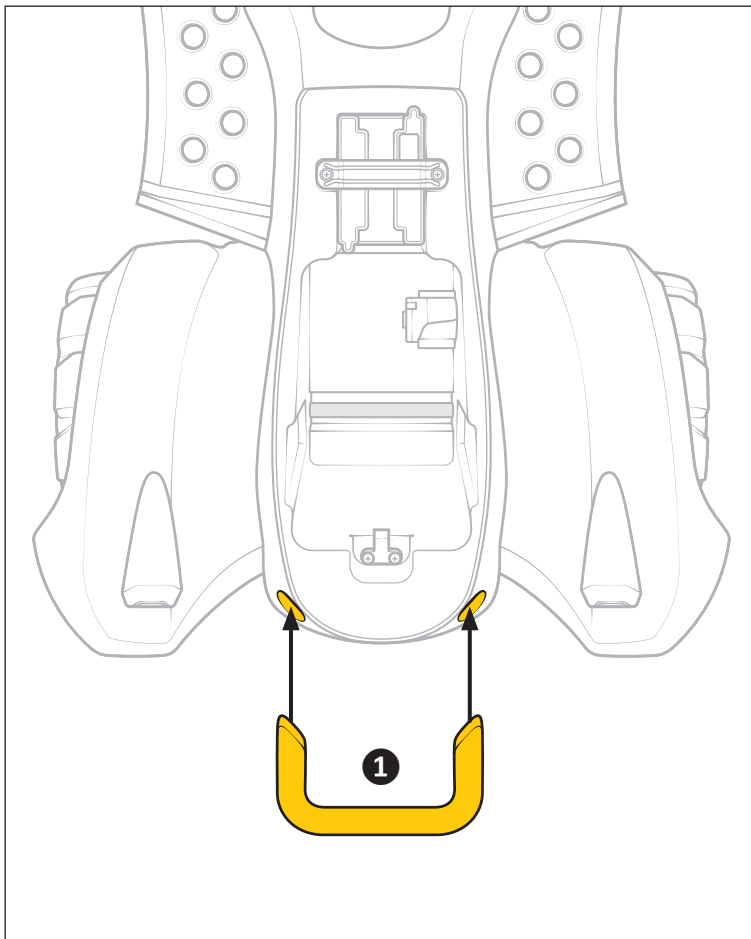
### 3 Assembly

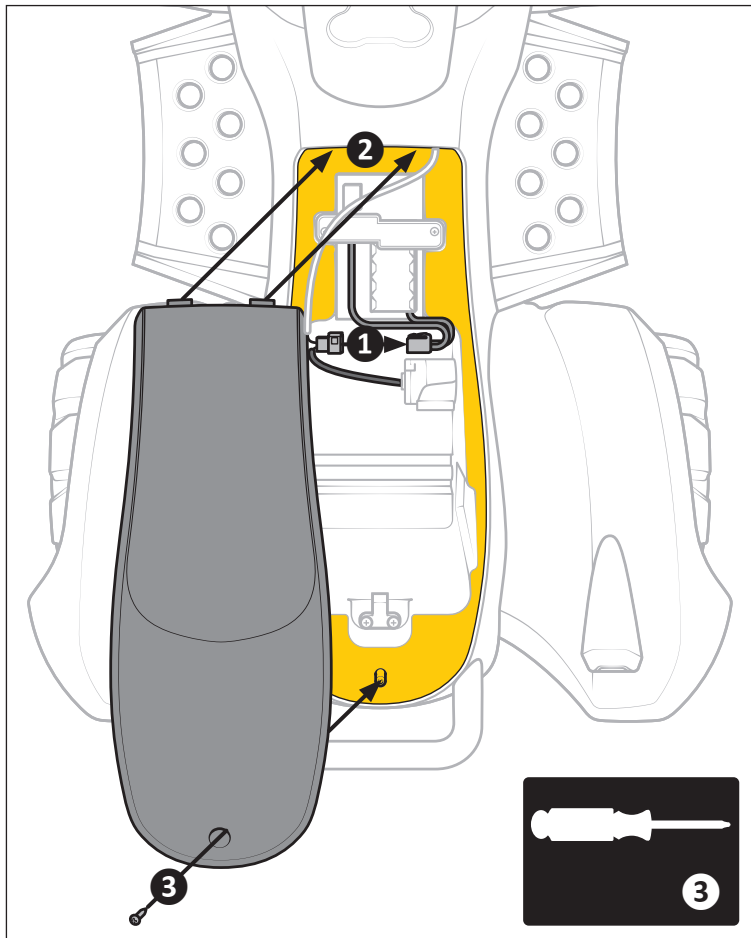
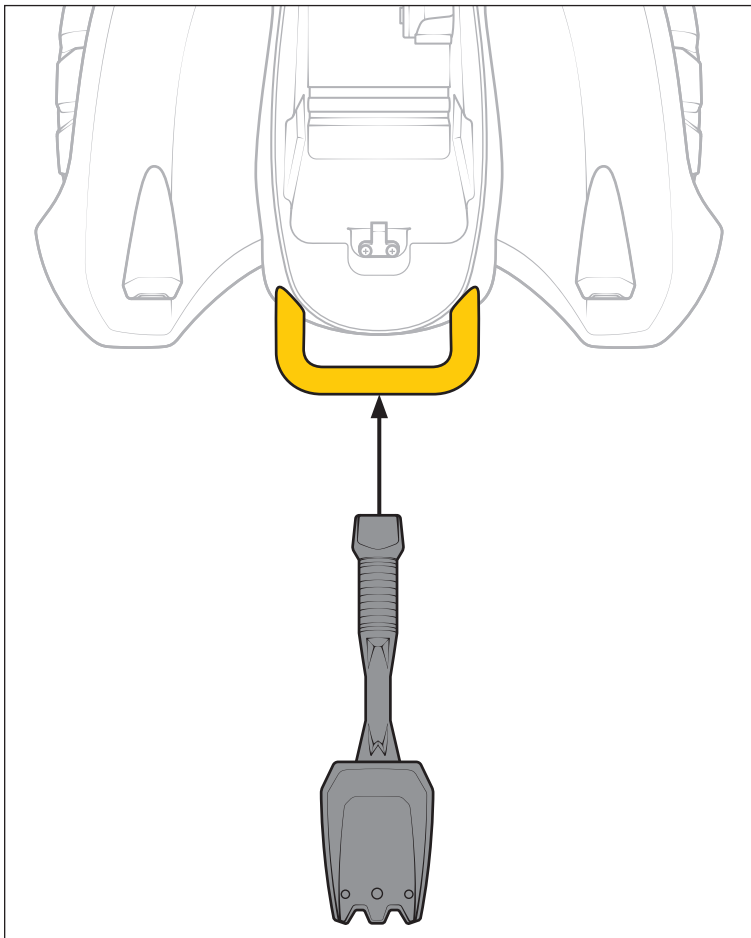


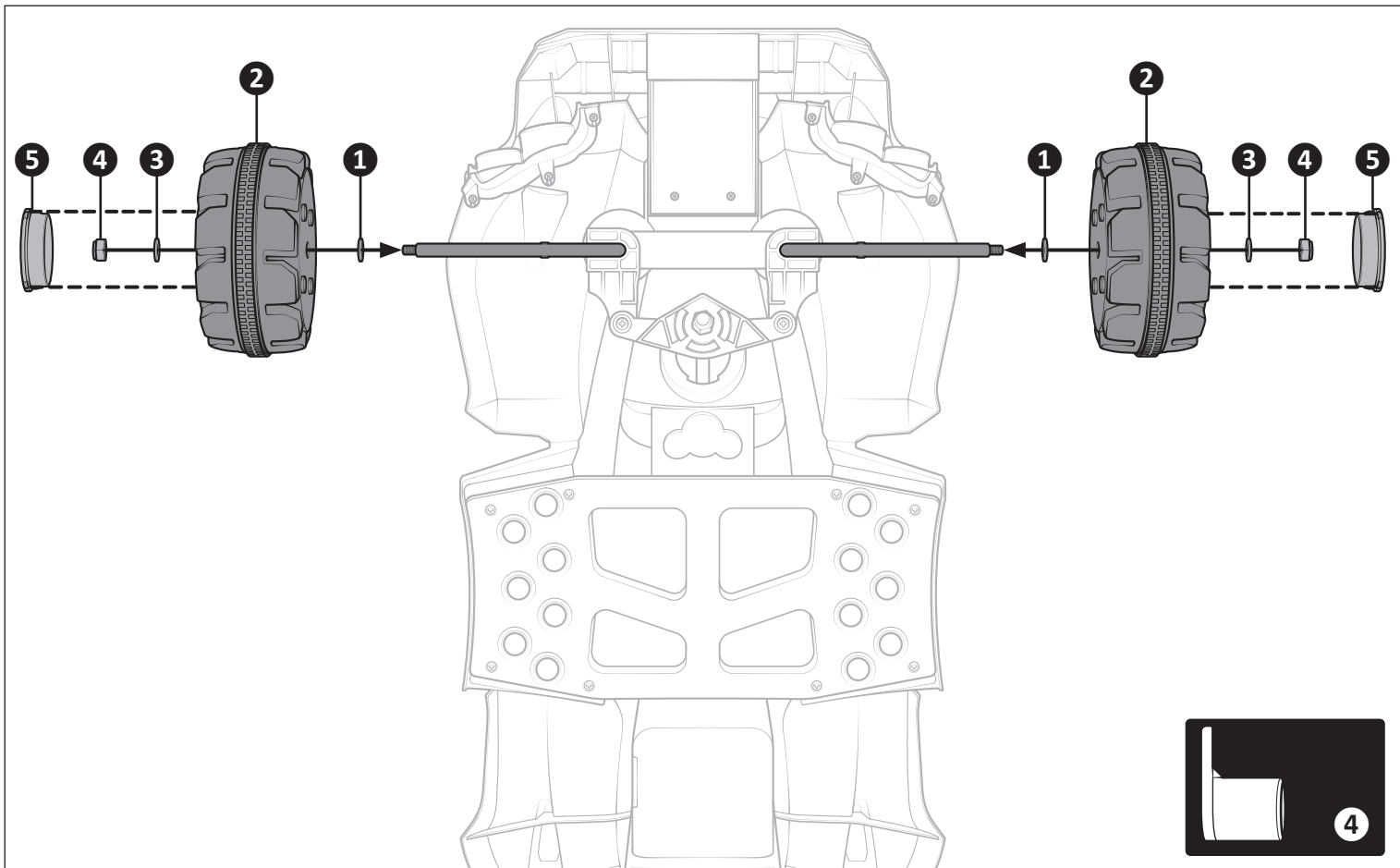


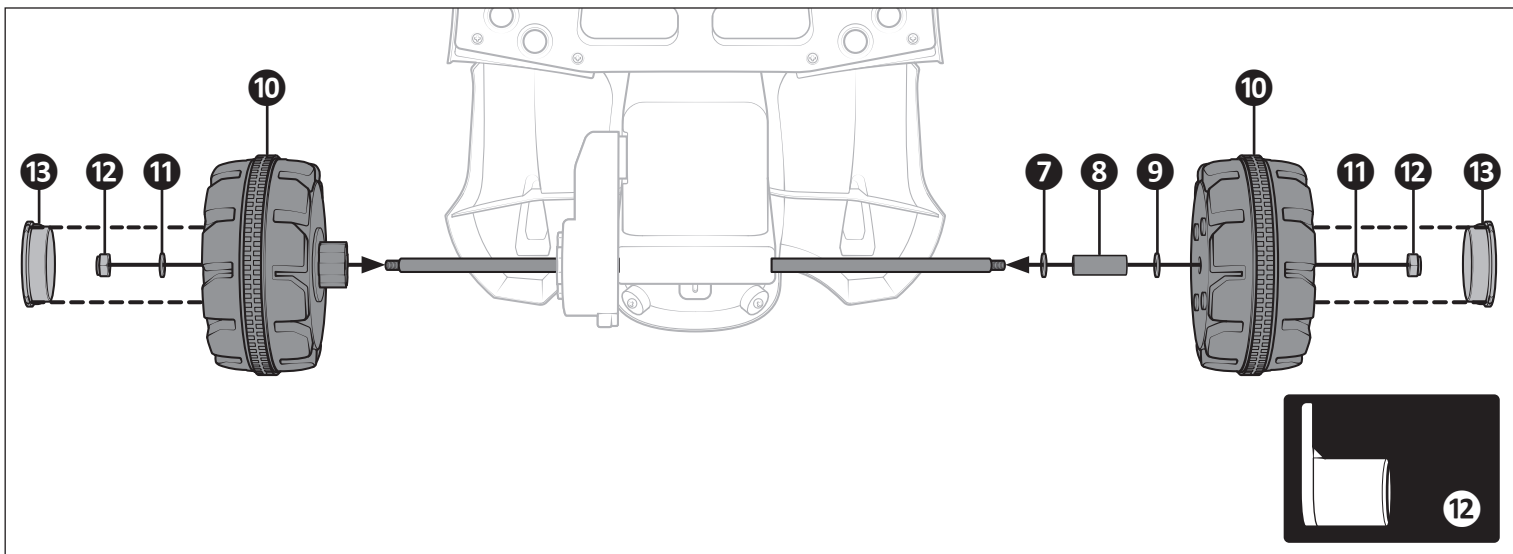
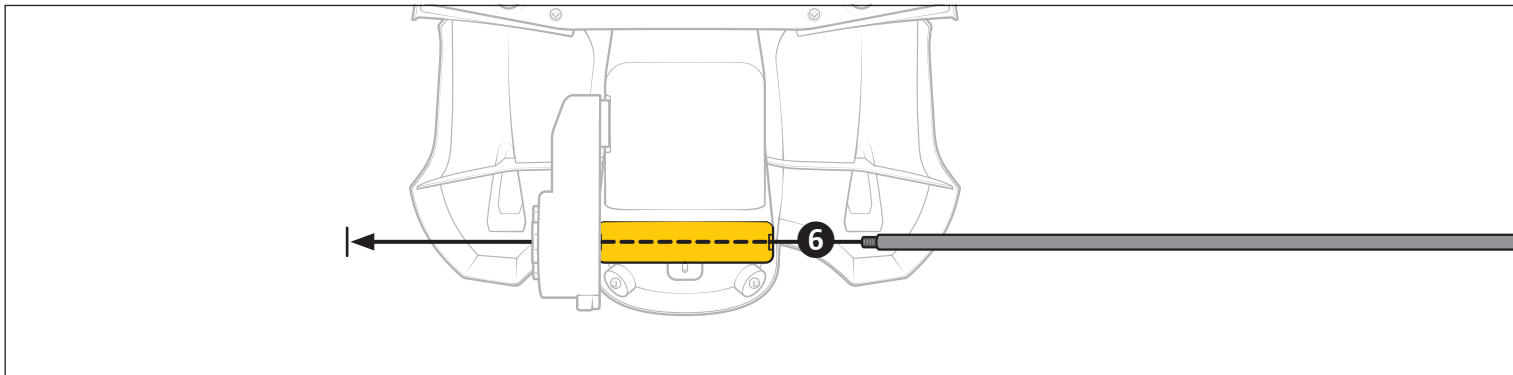




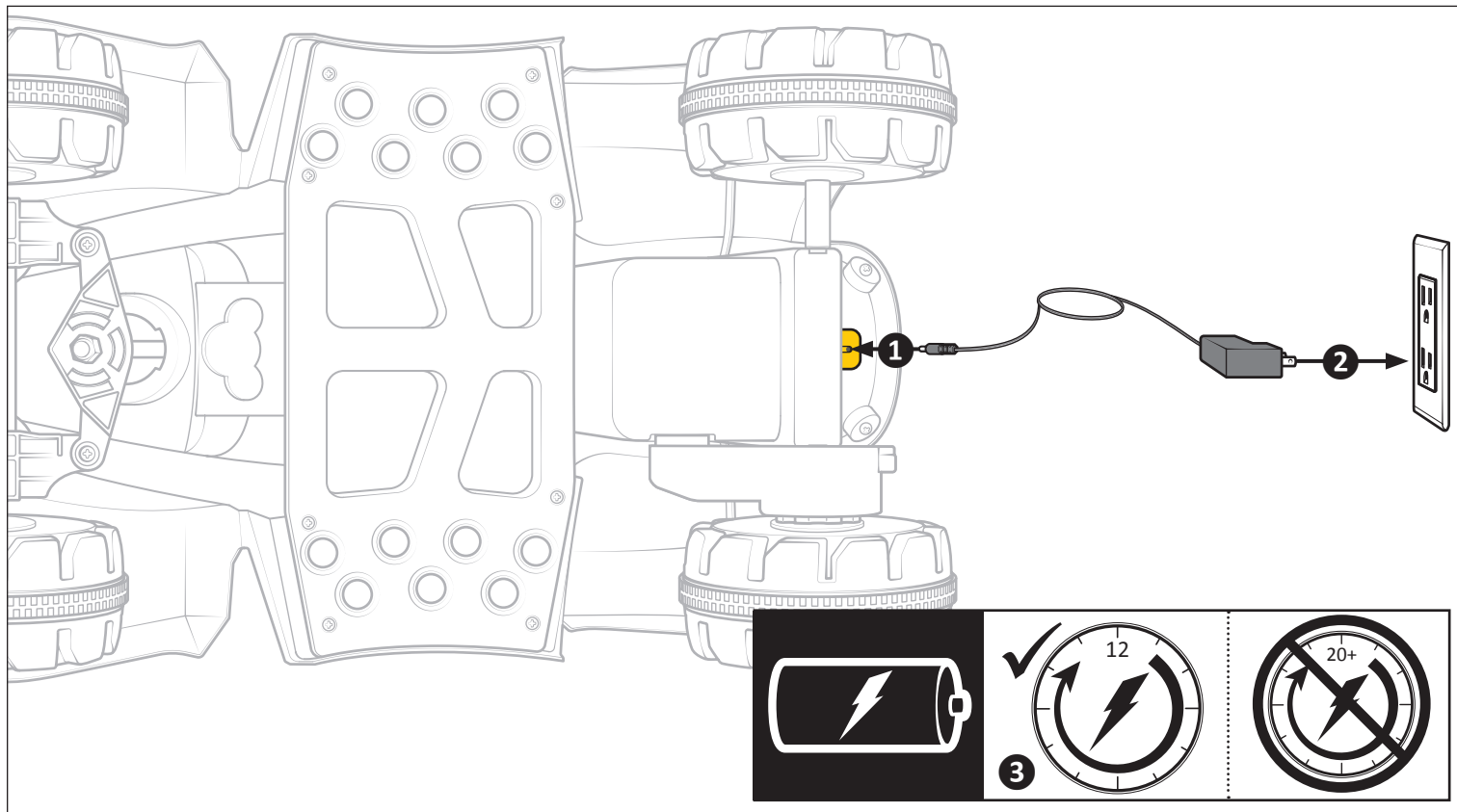


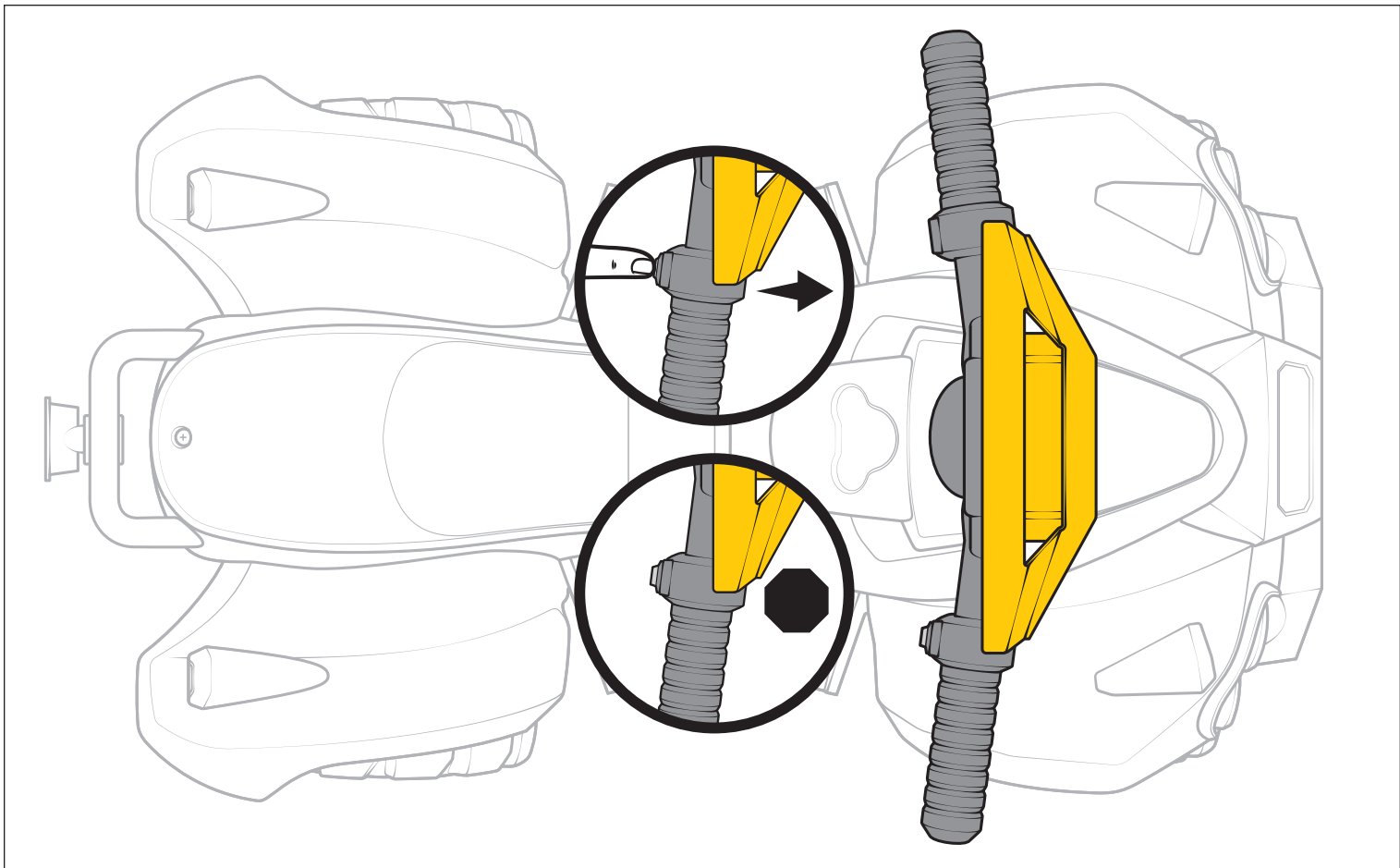






# 4 Use

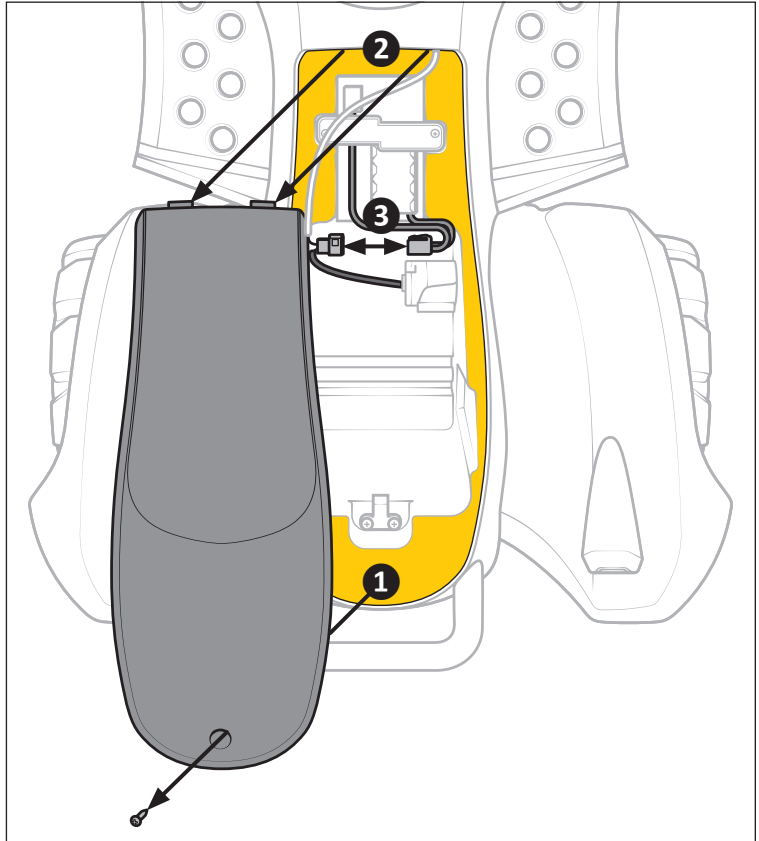




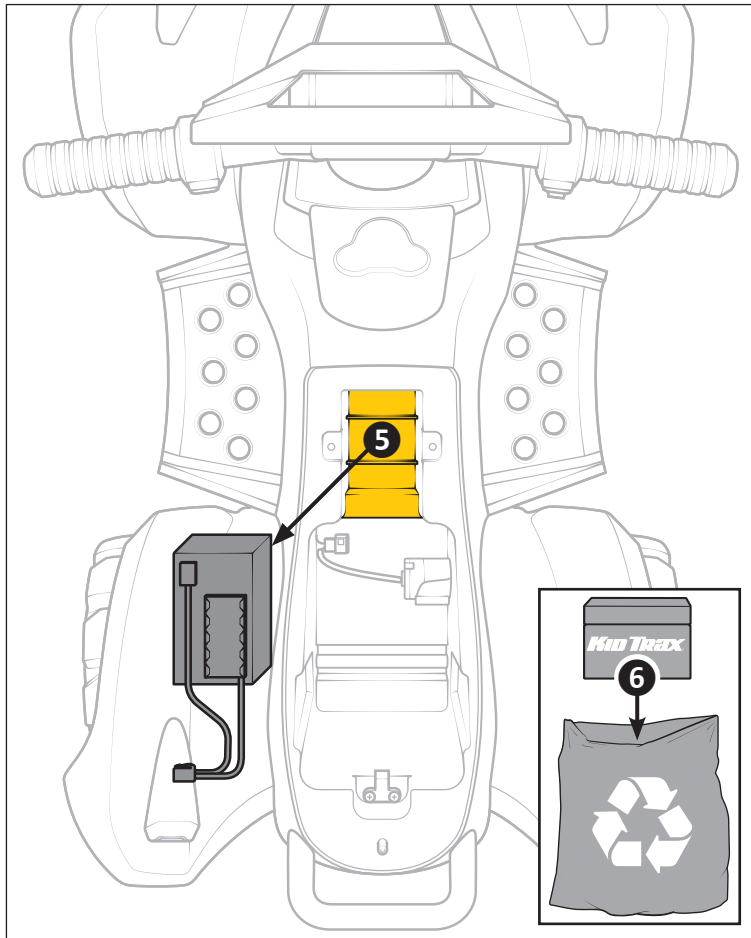
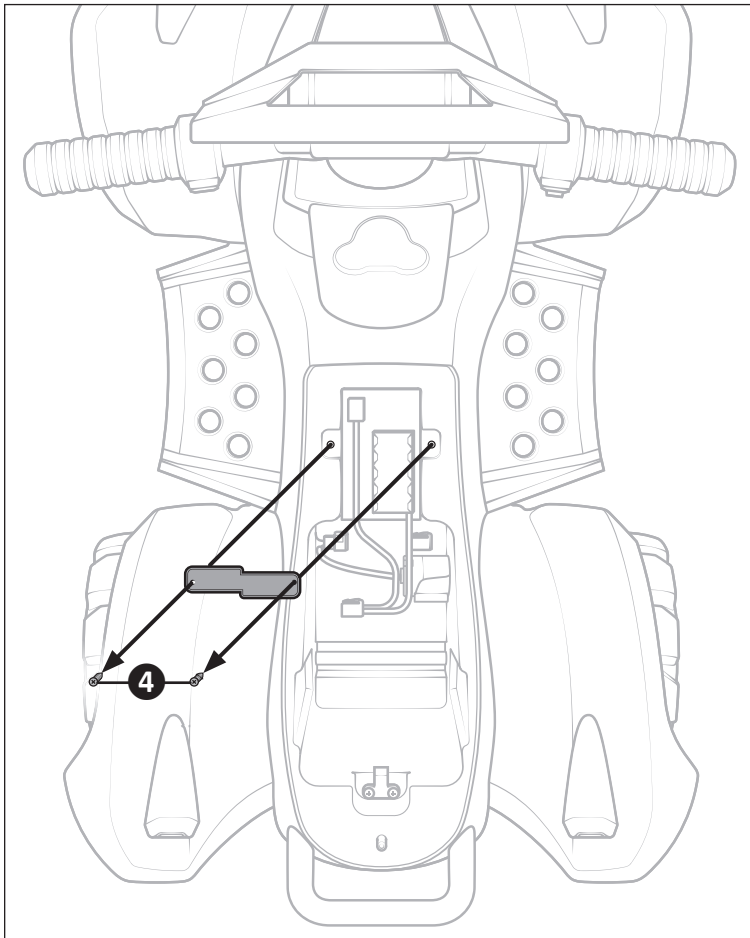
## 5 Maintenance

The vehicle should be checked for damage, missing or badly worn parts before use.

- Check the tightness of the fasteners before each use.
- Check the tightness of the wheels.
- Ensure the battery is securely in place before use
- Occasionally use lightweight oil to lubricate moving parts such as wheels and steering linkage.
- Do not use oil on plastic or nylon parts. No lubrication is required.
- Store the vehicle indoors or cover it with a tarp to protect it from the wet weather. Keep it away from sources of heat, such as stoves and heaters.
- Clean the vehicle with a soft, dry cloth. To restore shine to plastic parts, use a non-wax furniture polish. Do not use car wax, abrasive cleaners or wash the vehicle with soap and water. Water will damage the motor, electrical system and battery.
- KidTrax Toys recommends that you take the vehicle to an authorized service center for periodic maintenance and service. Call Kid Trax Toys Consumer Relations at **877-741-6154** for an authorized service center.







## 6 Troubleshooting

The following are examples of potential problems. Completely read through this manual and the troubleshooting guide table before calling Kid Trax Toys Consumer Relations. If you still need help resolving the problem please call **877-741-6154**. Kid Trax Toys recommends that you take the vehicle to an authorized service center for periodic maintenance and service. Call the number listed above for the closest center to you.

Problem	Possible Cause	Remedy
Vehicle does not run	Battery low on power	Recharge battery (see Battery: Recharge Interval and Time)
	Thermal fuse has tripped	Let the vehicle rest for 5 to 10 minutes before continuing normal operation. (see Maintenance)
	Battery connector or wires are loose	Check that the battery connectors are firmly plugged into each other. If wires are loose around the motor call Consumer Relations at <b>877-741-6154</b> for an authorized service center
	Battery is dead	Replace battery (see Battery: Replacement and Disposal)
	Electrical system is damaged	Call Consumer Relations at <b>877-741-6154</b> for an authorized service center
	Motor is damaged	Call Consumer Relations at <b>877-741-6154</b> for an authorized service center
Vehicle does not run very long	Battery is under charged	Check that the battery connectors are firmly plugged into each other when recharging (see Battery: Recharge Interval and Time)
Loud grinding or clicking noises coming from motor or gear box	Motor or gears are damaged	Call Consumer Relations at <b>877-741-6154</b> for an authorized service center

Problem	Possible Cause	Remedy
Vehicle runs sluggishly or beeping occurs	Battery low on power	Recharge battery (see Battery: Recharge Interval and Time)
	Battery is old	Replace battery (see Battery: Replacement and Disposal)
	Vehicle is overloaded	Reduce weight on vehicle (see User Requirements and Safety Warnings)
	Vehicle is being used in harsh conditions	Operate the vehicle level ground and firm surfaces (see User Requirements and Safety Warnings)
Vehicle needs a push to go forward	Poor contact of wires or connectors	Check that battery connectors are firmly plugged into each other. If wires are loose around the motor call Consumer Relations at <b>877-741-6154</b> for an authorized service center
	“Dead Spot” on motor	A <b>dead spot</b> means the electric power is not being delivered to the terminal connection and the vehicle needs repair. Call Consumer Relations at <b>877-741-6154</b> for an authorized service center
Battery will not recharge	Battery connector or adapter connector is loose	Check that battery connectors are firmly plugged into each other
	Charger not plugged in	Check that battery charger is plugged into a working wall outlet
	Charger is not working (lights not glowing)	Call Consumer Relations at <b>877-741-6154</b> for an authorized service center
Battery bubbles or gurgles when charging	This is normal and not a cause for concern	
Charger feels warm when recharging	This is normal and not a cause for concern	

## 7 Service

Do not return this product to the place of purchase. If your vehicle needs service, repairs or replacement parts, call:

**KidTrax Toys Consumer Relations**

**Hours:** 8:00 am – 5:00 pm (CST) Monday - Friday

**Phone:** 877-741-6154

**Email:** [customerservice@kidtraxtoys.com](mailto:customerservice@kidtraxtoys.com)

**Web:** [www.kidtraxtoys.com](http://www.kidtraxtoys.com)

For service and repairs you will be directed to an authorized service center. To order parts have the model and serial number, found underneath the seat on the battery cover.

The following is a list of available replacement parts:

- Wheels
- Hardware bag for wheel assembly
- Steering assembly
- 6-volt KidTrax battery
- Battery Charger

## **9** Warranty

### **One-Year Limited Warranty**

### **Six-Month Limited Warranty on Battery**

Pacific Cycle, Inc. (PC) warrants this product to the original retail purchaser as follows: The vehicle (except for the 12-volt battery) is warranted against defective materials or workmanship for one year from the date of original purchase. The 12-volt battery is warranted against defective materials or workmanship for six months from the date of original purchase. An original receipt is required to validate your warranty. PC will, at its option, provide replacement parts or replace this product. PC reserves the right to substitute if the part or model has been discontinued. To make a claim under this warranty you may contact us at [www.kidtraxtoys.com](http://www.kidtraxtoys.com); fax us at 1-800-858-2800, 24 hours a day; write to KidTrax Consumer Relations Department, KidTrax Toys, P.O. Box 344 Olney, IL 62450 or call 1-877-741-6154 from 8 a.m. to 5 p.m., Monday through Friday, CST. Proof of purchase is required, and shipping charges are the responsibility of the consumer.

### **Warranty Limitations**

This warranty does not include damages which arise from accident, misuse, abuse, neglect or other causes not arising out of defects in materials or workmanship, nor does it cover damages arising out of service by other than an authorized PC service center. For personal use only. Not for commercial use. The original owner shall pay all labor charges connected with the repair or replacement of all parts. Under no circumstances does this limited warranty include the cost of shipment or transportation to or from an authorized Kid Trax repair center or Kid Trax retailer.

### **Limitation of Damages:**

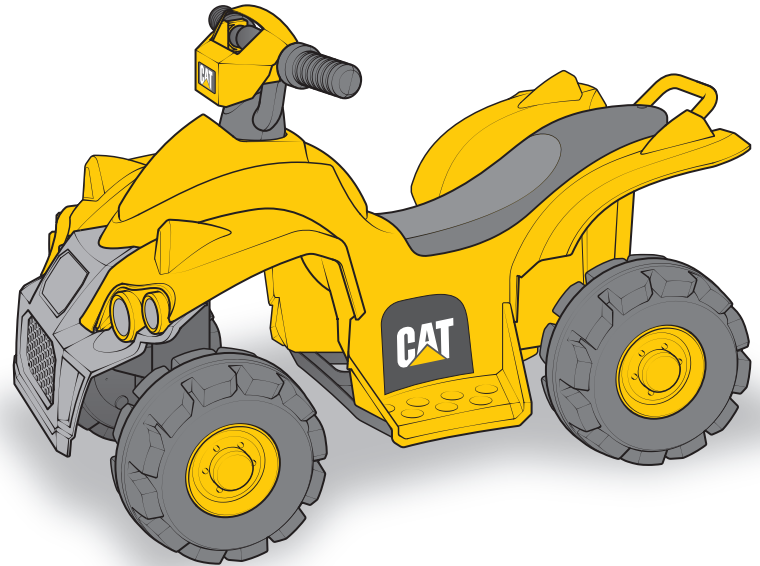
The warranty and remedies as set forth are exclusive and in lieu of all others, oral or written, expressed or implied. In no event will PC or the dealer selling this product be liable to you for any damages, including incidental or consequential damages, arising out of the use or inability to use this product. Some states do not allow limitations as the exclusion or limitation of incidental or consequential damages, so the above limitation may not apply to you.

### **Limitation of Warranties and Warranty Terms**

Any implied warranties, including implied warranties of the merchantability and fitness for a particular purpose, shall be limited to the duration and terms of the express written warranty. Some states do not allow limitations as the exclusion or limitation of incidental or consequential damages, so the above limitation may not apply to you. This warranty gives you specific legal rights, and you may have other rights, which vary from state to state. Neither PC nor the dealer selling this product authorized any person to create for it any other warranty, obligation or liability in connection with this product.



© 2015 Pacific-Cycle Inc.  
4902 Hammersly Rd.  
Madison, WI 53711



Styles may vary. Made in China