

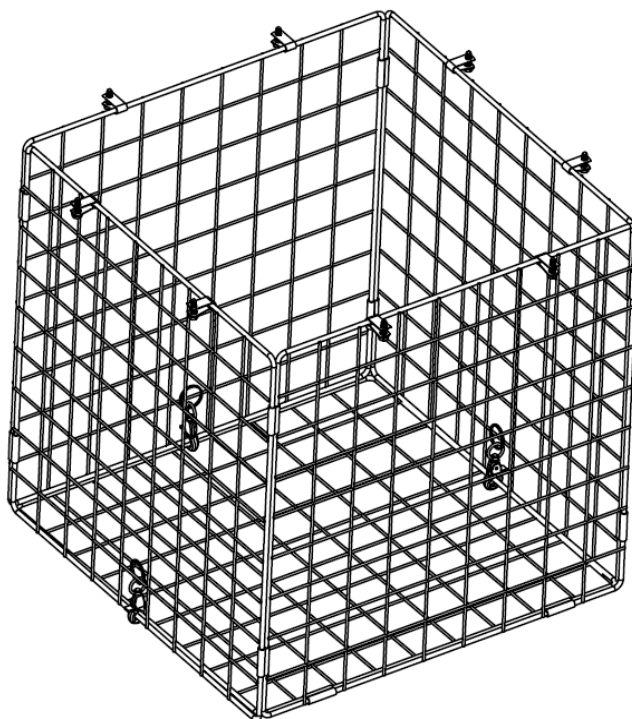


**GAME WINNER®**

## **Assembly Instructions**

### **Universal Varmint Cage**

Style FSGWSF1030 (HU2259201-GW)



**Please keep this instruction manual for future reference**

**Customer Service: (888) 837-1380, 8:00am to 5:00pm, Pacific Standard Time,  
Monday thru Friday**

**Email: [customerservice@rankam.com](mailto:customerservice@rankam.com)**

**----- OR -----**

**Customer Service: (888) 922-2336, 7:00am to 12:00am CST daily**

**Live Chat at: [www.academy.com](http://www.academy.com)**

**Email: [customerservice@academy.com](mailto:customerservice@academy.com)**

**(Made in China)**

<b>Warnings -----</b>	<b>3</b>
<b>Tools Required-----</b>	<b>4</b>
<b>Parts List-----</b>	<b>4</b>
<b>Hardware List-----</b>	<b>4</b>
<b>Assembly Instructions-----</b>	<b>5</b>
<b>Care and Maintenance -----</b>	<b>5</b>
<b>Warranty -----</b>	<b>6-7</b>

NOTE: Before beginning assembly of product, make sure all parts are present. Compare parts with package content list and hardware contents. If any part is missing or damaged do not attempt to assemble the unit. Contact customer service for replacement parts.

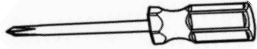
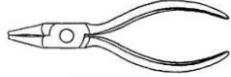
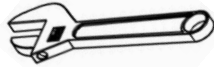
# Warnings

**PAY ATTENTION** to these statements when reading this manual and the information contained can save your life.

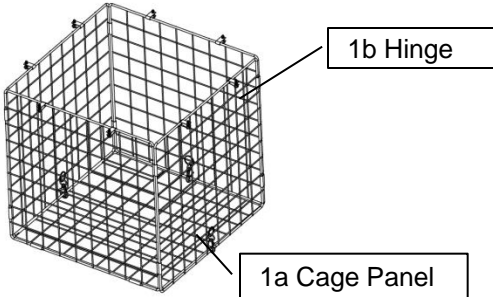
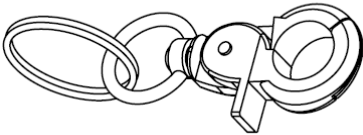
**WEAR APPROPRIATE CLOTHING AND SAFETY GLOVES DURING ASSEMBLY.**

**DO NOT THROW AWAY THE PACKAGING MATERIAL AT THIS TIME.**

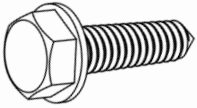
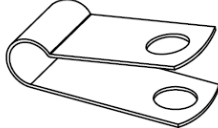
# Tools Required

1	Philips & Flathead Screwdrivers	
2	Pliers	
3	Wrench	

# Parts List

1	Varmint Cage 1a Cage Panel – 5 pcs 1b Hinge – 10 pcs		1 pc
2	Hook		3 pcs

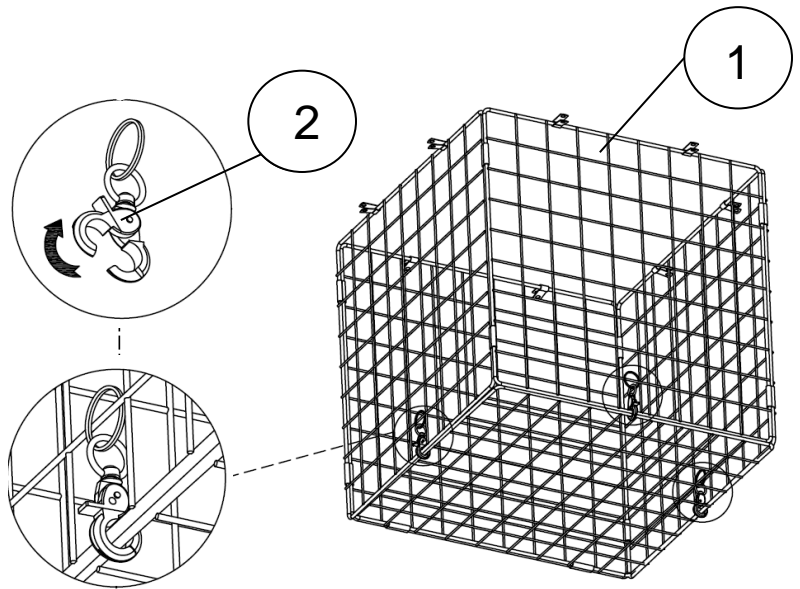
# Hardware

A	Self-tapping Screw (M5x25mm)		8 pcs
B	Clip		8 pcs

# Assembly Instructions

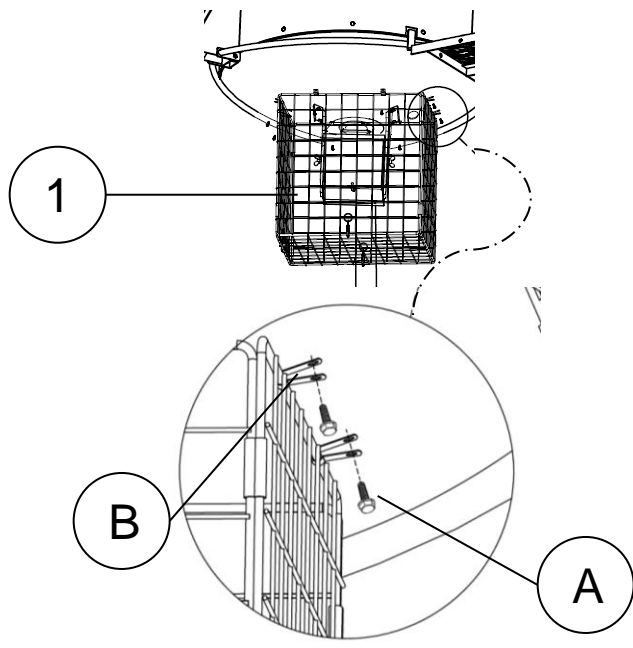
## Step 1:

Close the Varmint Cage (#1) with (#2) Hook.



## Step 2:

Attach the Varmint Cage (#1) to bottom of hopper using Self-tapping Screws (A, M5x25mm) and Clips (B).



Hardware :

#A – 8pcs

#B – 8pcs

# Care and Maintenance

- INSPECT UNIVERSAL VARMINT CAGE FOR ANY LOOSE PARTS OR HARWARE REGULARLY
- IF RUST APPEARS ON THE EXTERIOR SURFACE OF UNIVERSAL VARMINT CAGE, CLEAN AND BUFF THE AFFECTED AREA WITH STEEL WOOL OR FINE GRIT EMERY CLOTH. TOUCH-UP WITH A GOOD QUALITY PAINT (NOT INCLUDED).

# Warranty Information

1. Manufacturer warrants this Product to be free from defects in workmanship and materials for a period of 90 days from the date of purchase, PROVIDED claims are submitted, in writing, with proof of purchase.
2. If any part of this item fails because of a manufacturing defect within the Limited Warranty Period, Manufacturer offers to replace such part(s) provide that such parts have not been improperly repaired, altered, or tampered with or subject to misuse, abuse or exposed to corrosive conditions. This Limited Warranty is, however, subject to certain limitations, exclusions, time limits and exceptions (Hereinafter "Conditions") as listed below. Read these Conditions carefully.
3. This Limited Warranty shall be limited to the replacement or repair of any part(s) which Manufacturer determines, after reasonable examination, to have been defective at the time of manufacturing and manufacturer's obligation(s) shall be limited to replacement, if any, of defective part(s) which shall be shipped at Original Purchaser's expense to Original Purchaser's designated shipping address.
4. This Limited Warranty is given to and covers the **ORIGINAL PURCHASER ONLY** and such coverage terminates 90 days from the date of purchase.
5. **DAMAGE LIMITATION WARNING:** IN NO EVENT SHALL MANUFACTURER BE LIABLE FOR ANY INCIDENTAL OR CONSEQUENTIAL DAMAGES, INCLUDING (BUT NOT LIMITED TO) LOSS OF USE OF THE PRODUCT, LOSS OF TIME, INCONVENIENCE, EXPENSES FOR TRAVEL, TRANSPORTATION, LODGING EXPENSES, LOSS OF FOOD, LOSS BY DAMAGE TO PERSONAL PROPERTY OR LOSS OF INCOME, PROFITS OR REVENUE.
6. **MANUFACTURER'S OBLIGATION:** Manufacturer's liability shall be limited to the delivery of a good, merchantable Product and, if necessary, the repair or replacement, at manufacturer's option, of any defective part or unit.
7. **TRANSFER LIMITATIONS:** This Limited Warranty is not assignable or transferable. It covers only the original purchaser.
8. **RESERVED RIGHT TO CHANGE:** Manufacturer reserves the right to make changes or improvements to products it produces in the future without imposing on itself any obligations to install the same improvements in the products it has previously manufactured.
9. This Limited Warranty gives the Original Purchaser specific legal rights but there may be other rights which vary by jurisdiction.
10. **This warranty does not cover the following items:**
  - Chips or scratches on porcelain or painted surfaces
  - Rust or corrosion is not deemed a manufacturing or materials defect
  - Discoloration or loss of paint due to handling during assembly, heat or cleaning products. Paint may require touch up.
  - Stainless steel discoloration or corrosion
  - Consumables such as batteries
  - Damages caused by wild game

# Warranty Information

## **IF CUSTOMER SERVICE IS NECESSARY:**

The Original Purchaser is responsible for shipping and handling charges of the returned item(s) and replacement parts, if any.

All parts to be replaced will need to be shipped before replacement items will be sent.

Follow the Customer Service Representative's instructions exactly. If a return is necessary, it must be packed carefully and shipped prepaid.

Should you encounter any problem

or

Obtaining replacement parts

**CALL US FIRST.**

Do not return product to the store.

**WE CAN HELP.**

Rankam (China) Manufacturing Co. Ltd.  
18/F., New Lee Wah Centre, 88 Tokwawan Road,  
Kowloon, Hong Kong

Please contact Rankam Customer Service at  
[customerservice@rankam.com](mailto:customerservice@rankam.com)  
or at 1-888-837-1380, Mon to Fri, 8:00 a.m. – 5:00 p.m. Pacific Standard Time.