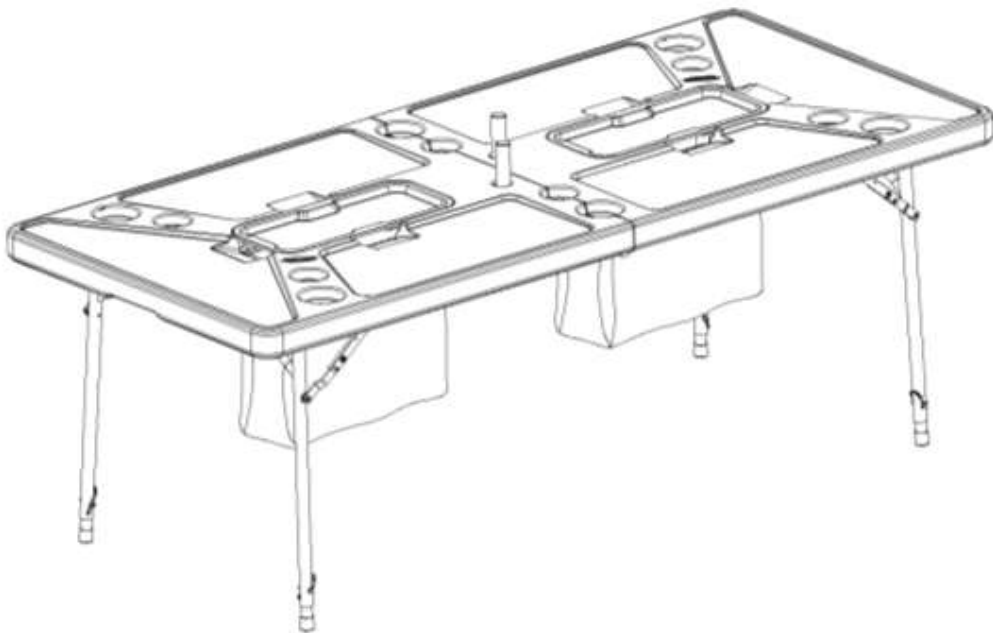




Assembly Instructions & User's Manual Rectangular 7' cookout Table

FSAAPT2105



Please keep this instruction manual for future reference

Customer Service: (888) 922-2336

7:00 am to 12:00 am CST (daily)

Live Chat at: www.academy.com

Email: customerservice@academy.com

(Made in China)

Table of Contents

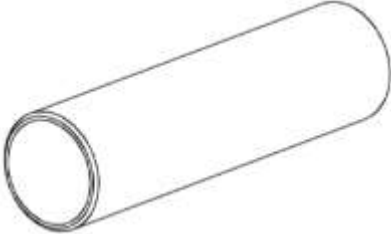
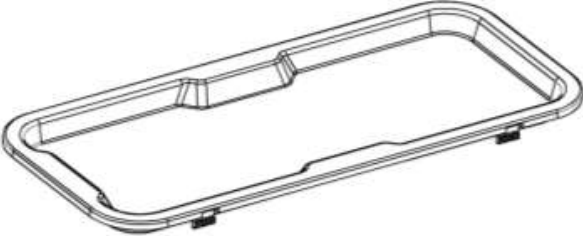
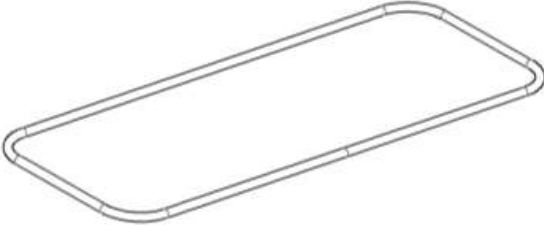
Warnings.....	2
Assembly Instructions.....	3-6
Care and Maintenance.....	7
Warranty Information.....	7

Note: Before beginning assembly of product, make sure all parts are present. Compare parts with package content list and hardware contents. If any part is missing or damaged do not attempt to assemble the unit. Contact customer service for replacement parts.

Warnings

- *Failure to comply with these warnings could result in serious personal injury or property damage.
 - *Leg Braces must always be in locked position during use or table could collapse.
 - *Do not stand or sit on table.it could tip over causing you to fall.
 - *Do not place hot objects on the tables.
- Weight capacity 450 LB/204 KG

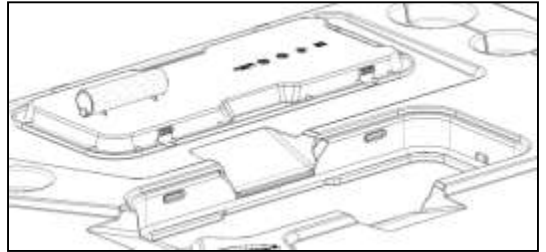
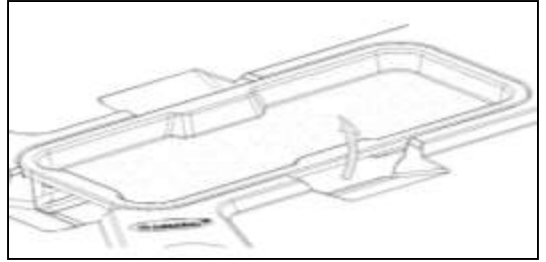
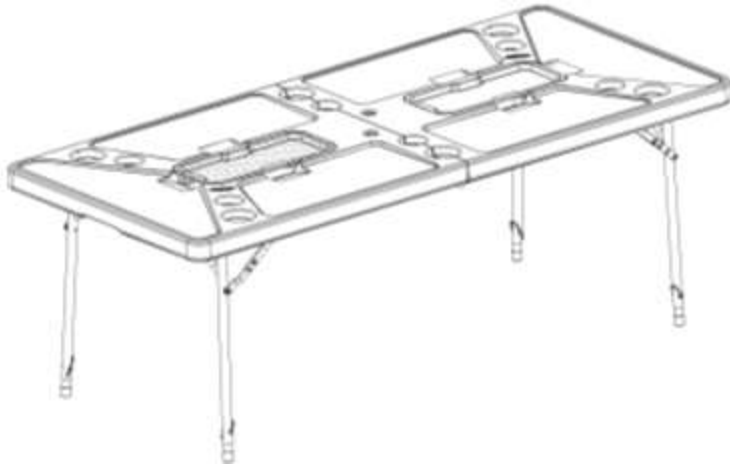
Parts List

Paper Towel holder		2 pcs
Cover		2 pcs
Metal wire		2 pcs

Assembly Instructions

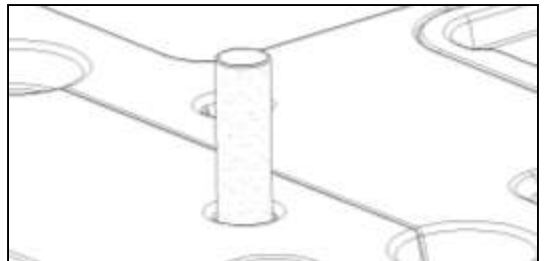
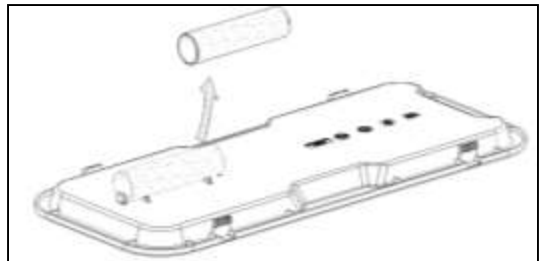
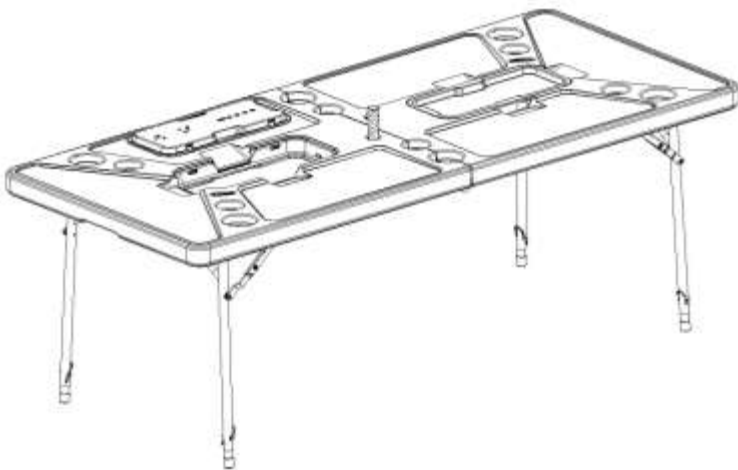
Step 1:

Take out the covers from the tabletop.



Step 2:

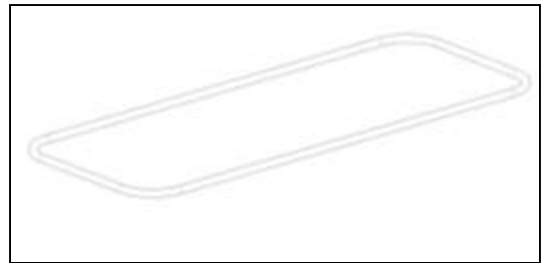
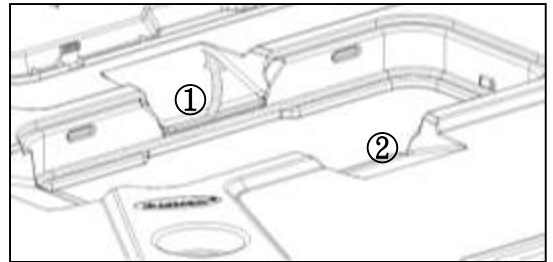
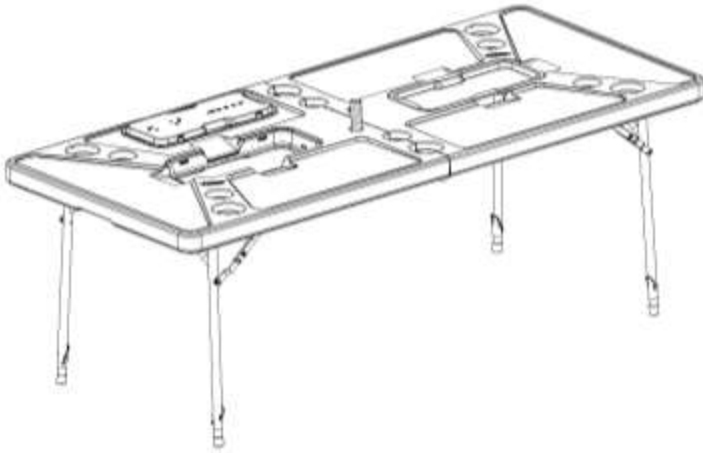
Take down the Paper Towel holders from the covers and place them in the holes on the tabletop.



Assembly Instructions

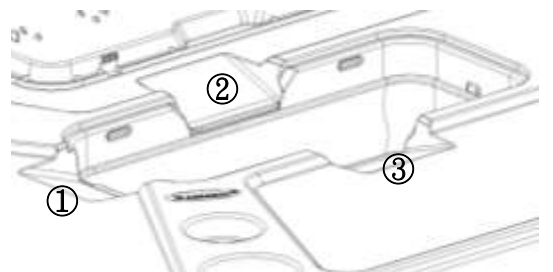
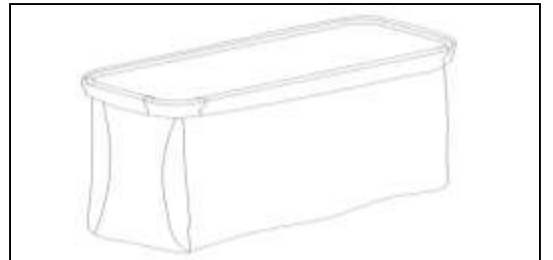
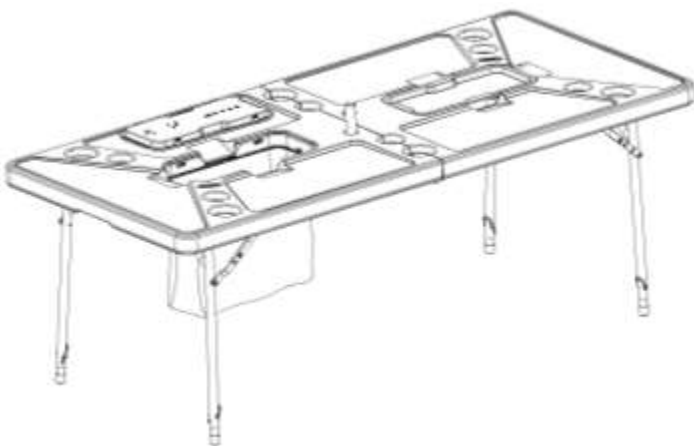
Step 3:

Remove the metal wires at point ① or ② from the trash's opening.



Step 4:

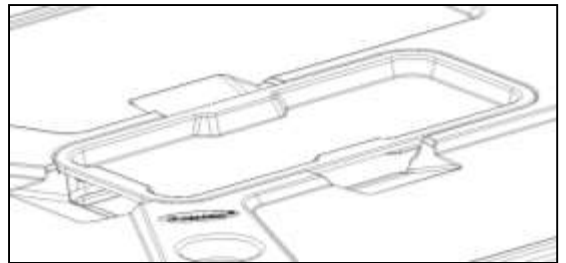
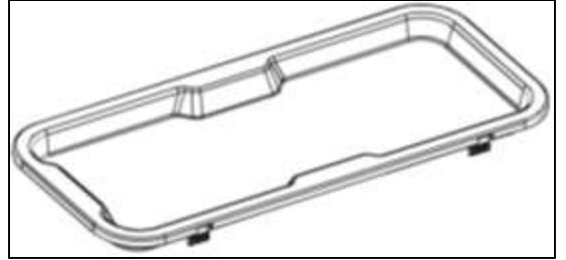
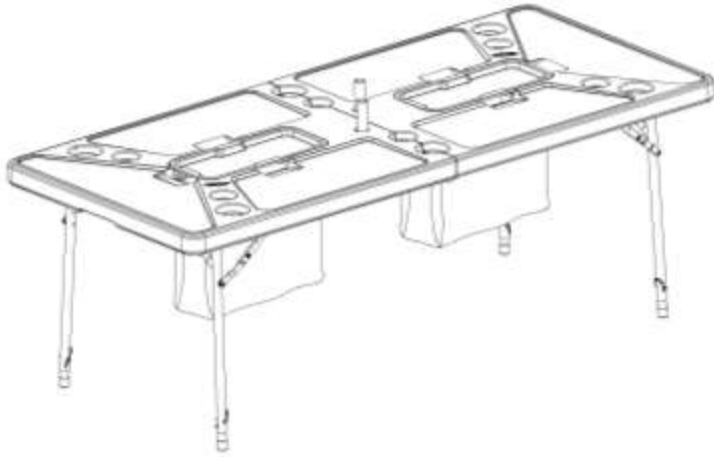
Twine the trash bag on the metal wire, put it in place ① firstly, and then press it in place ② and ③ properly.



Assembly Instructions

Step 5:

Place the covers back on.



Care and Maintenance

Place in an upright position on a flat surface.

Clean with soapy water.

Make sure all parts are present. If any part is missing or damaged, do not attempt to use the unit. Contact customer service for replacement parts.

Warranty Information

This product has been manufactured under the highest standards of quality and workmanship. We warrant to the original consumer purchaser that all aspects of this product will be free of defects in material and workmanship for one year from the date of purchase. A replacement for any defective part will be supplied free of charge for installation by the consumer. Defects or damage caused by the use of other than genuine parts are not covered by this warranty. This warranty shall be effective from the date of purchase as shown in the purchaser receipt.

This warranty is valid for the original consumer purchaser only and excludes industrial, commercial or business use of the product, product damage due to shipment or failure which results from alteration, product abuse, or product misuse, whether performed by a contractor , service company , or consumer. We will not be responsible for labor charges and/or damage incurred in installation, repair or replacement nor for incidental or consequential damage.